

# 232R, RD, L-235R



**1.1998**

**Spare parts**

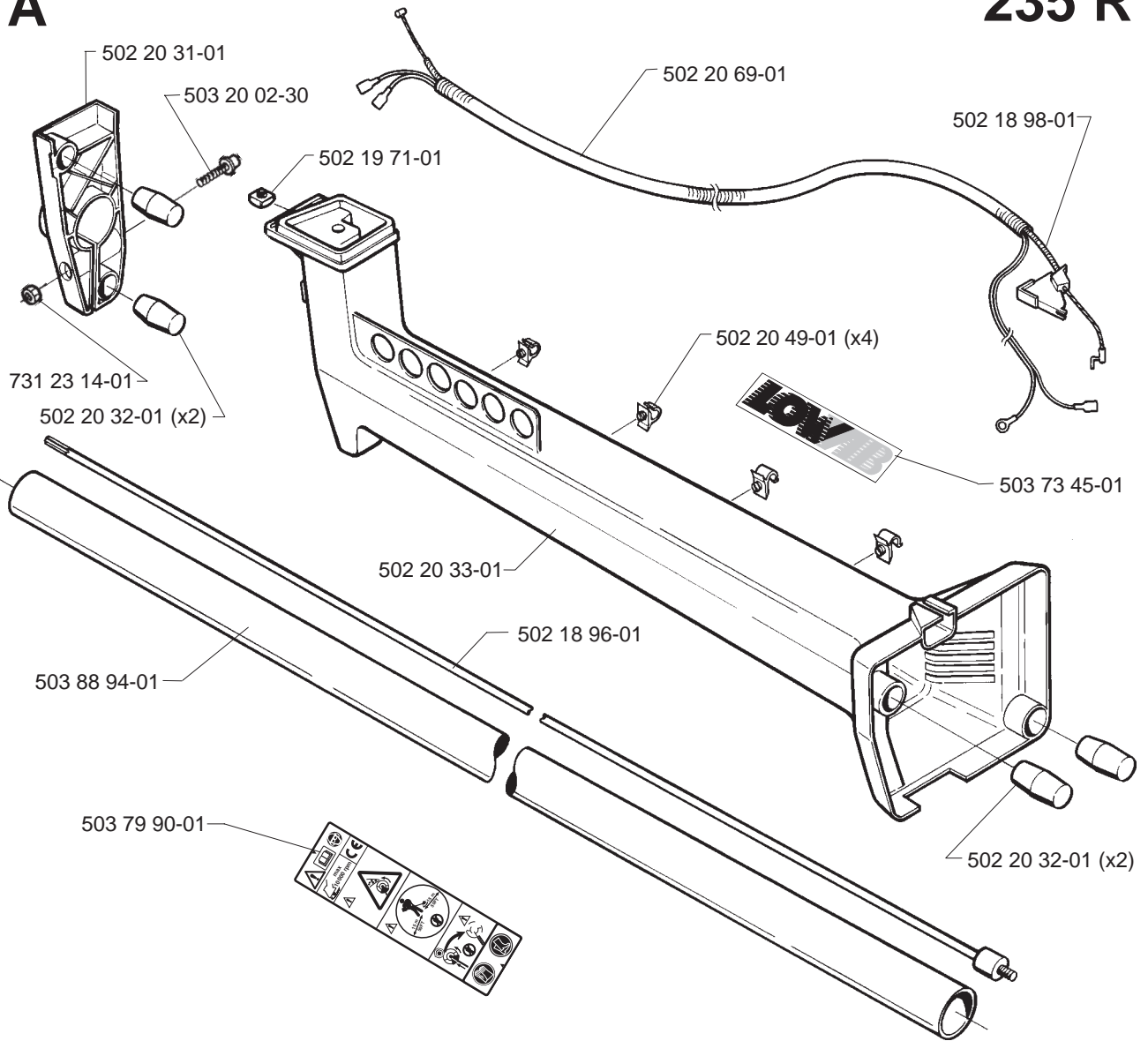
**Ersatzteile**

**Pièces détachées**

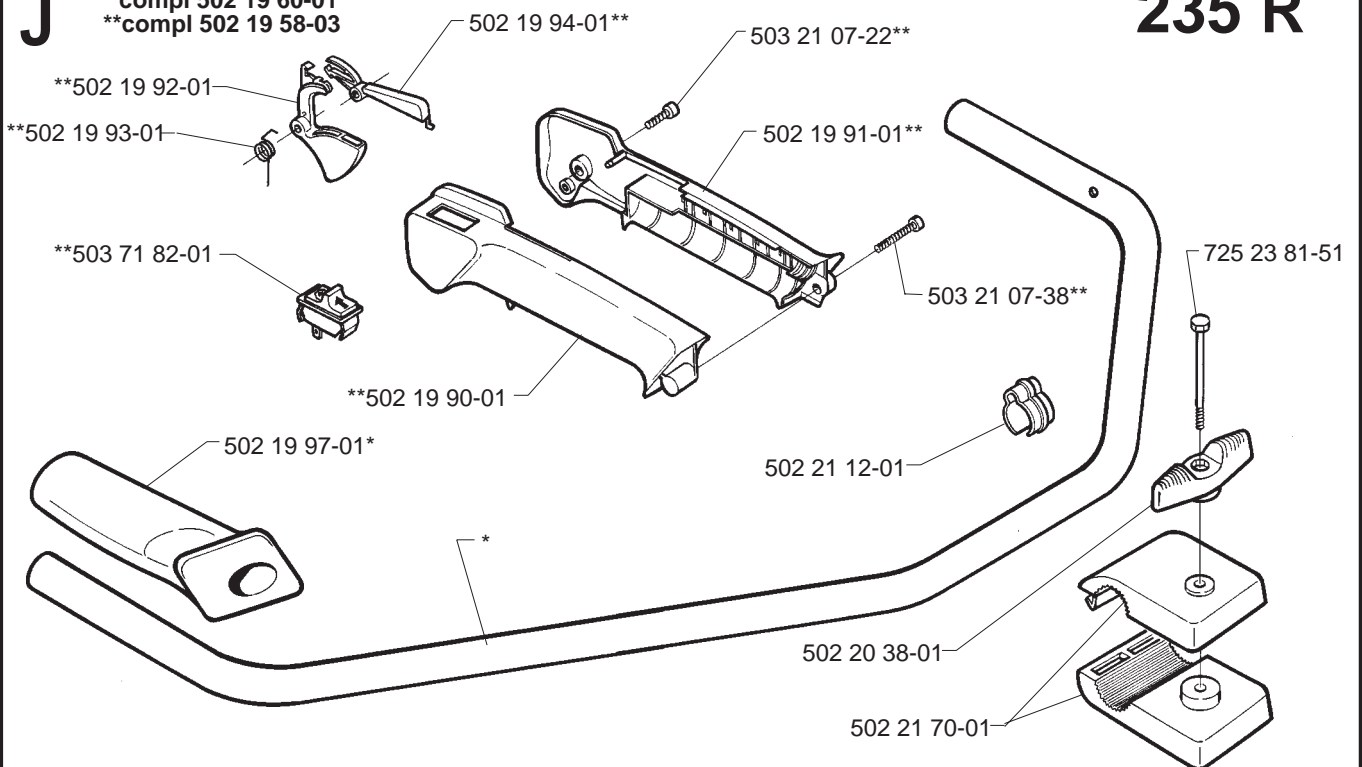
**Reserve onderdelen**

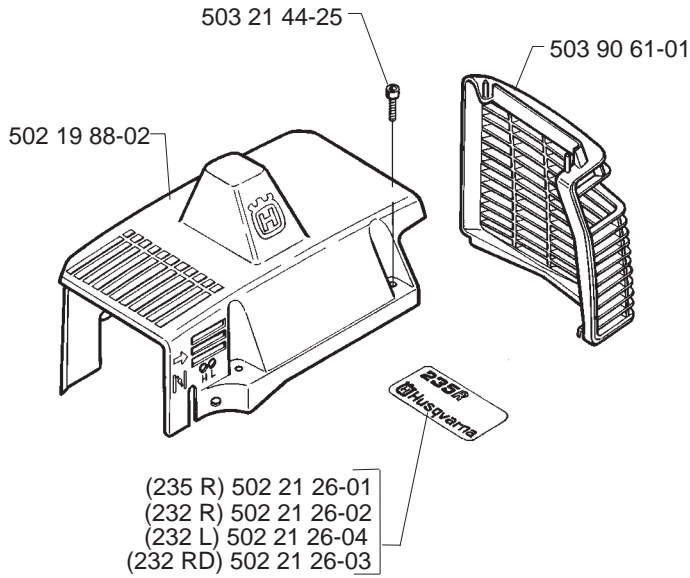
**Repuestos**

**Reservdelar**

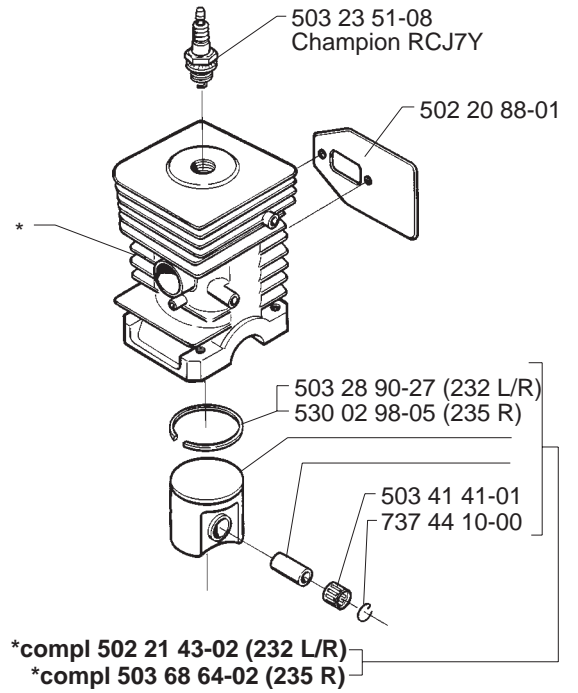
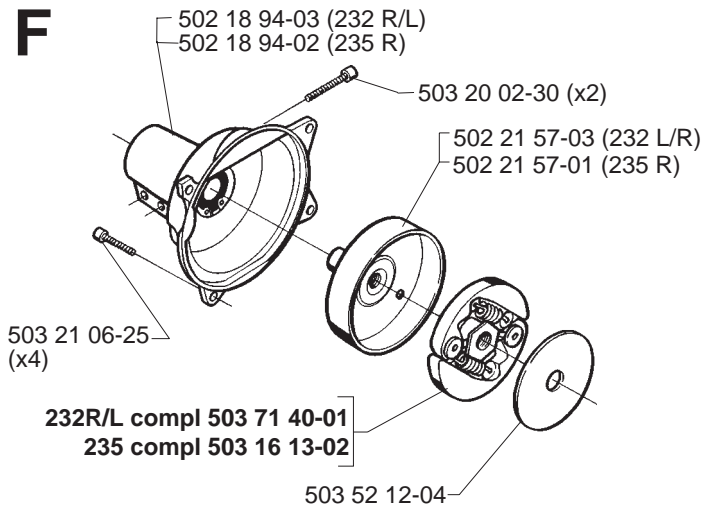
**A****235 R****J**

\*compl 502 19 60-01  
 \*\*compl 502 19 58-03

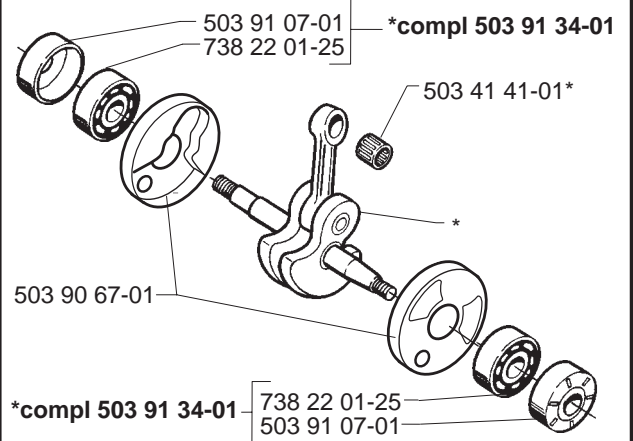
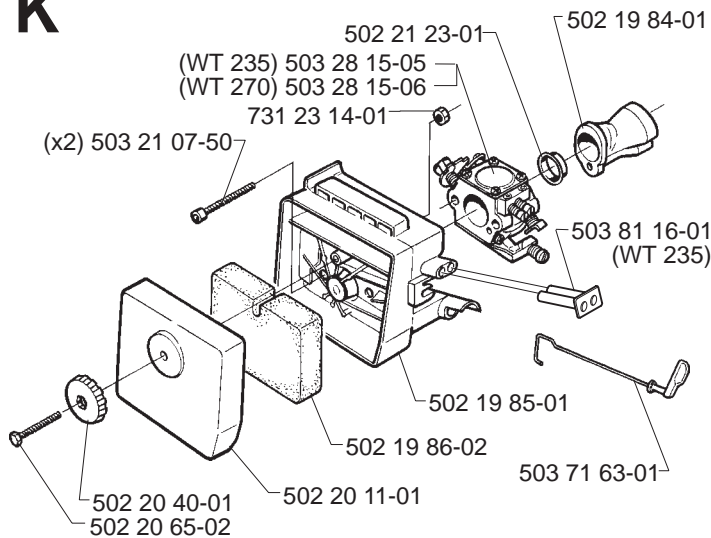
**235 R**

**C****D**

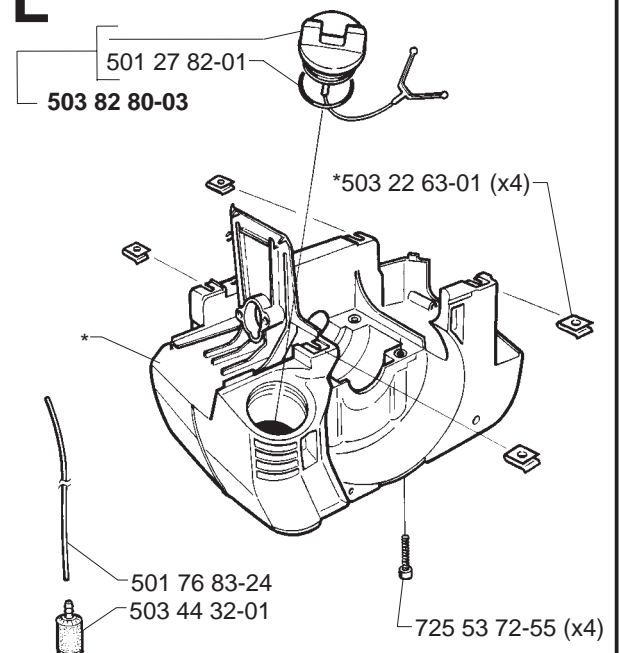
\*compl 503 72 80-01 (232 L/R)  
 \*compl 503 69 46-01 (235 R)

**F****G**

\*compl 502 21 28-03

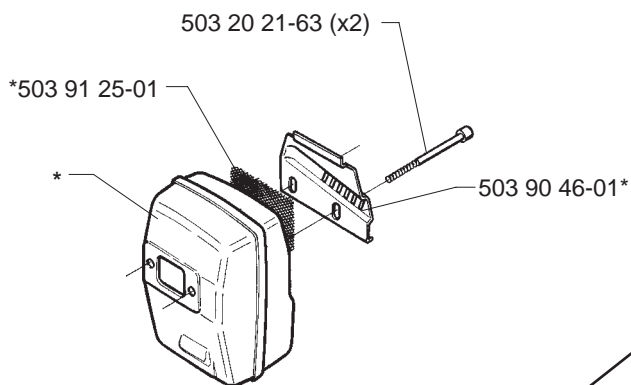
**K****L**

\*compl 503 84 00-01

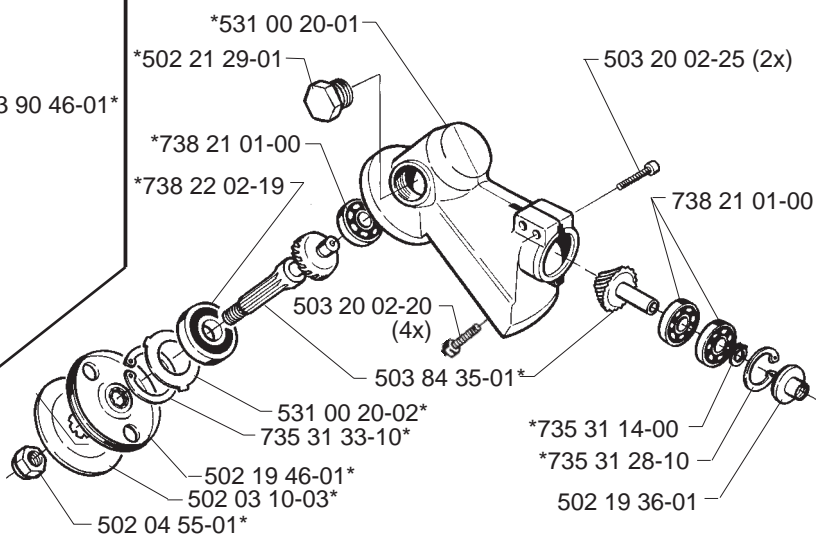


**E**

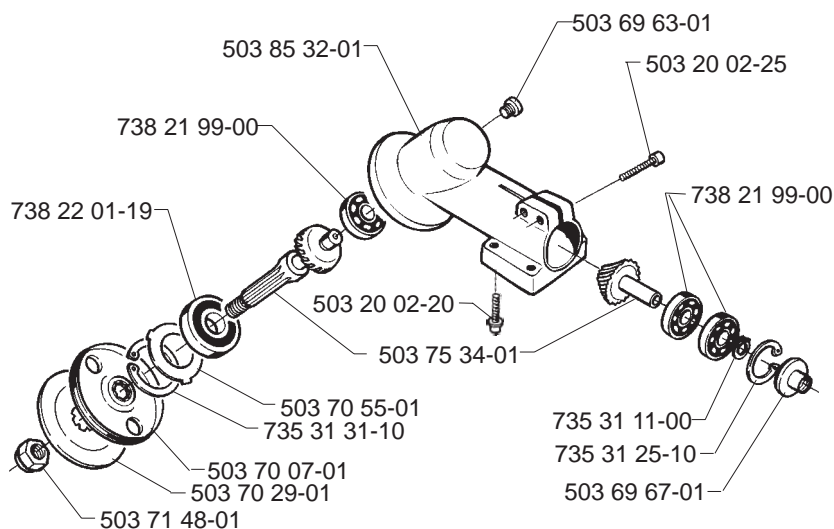
\*compl 503 90 47-01

**B**

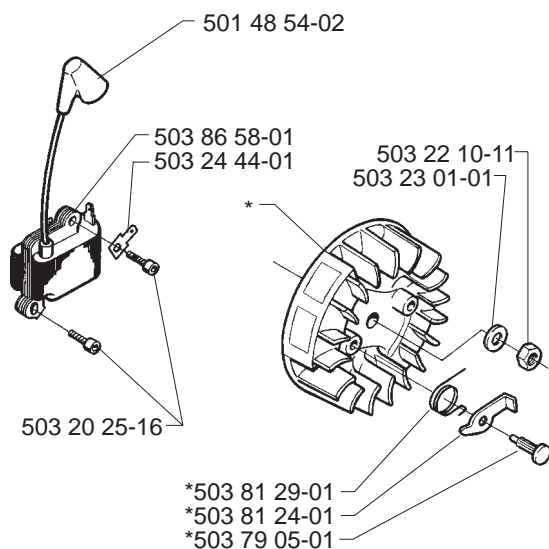
\*compl 502 18 50-01

**235 R****Q**

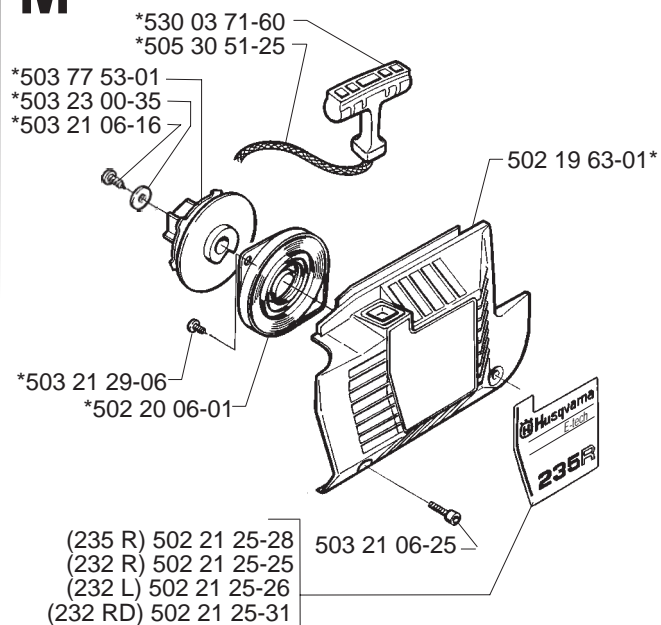
compl 502 21 92-03

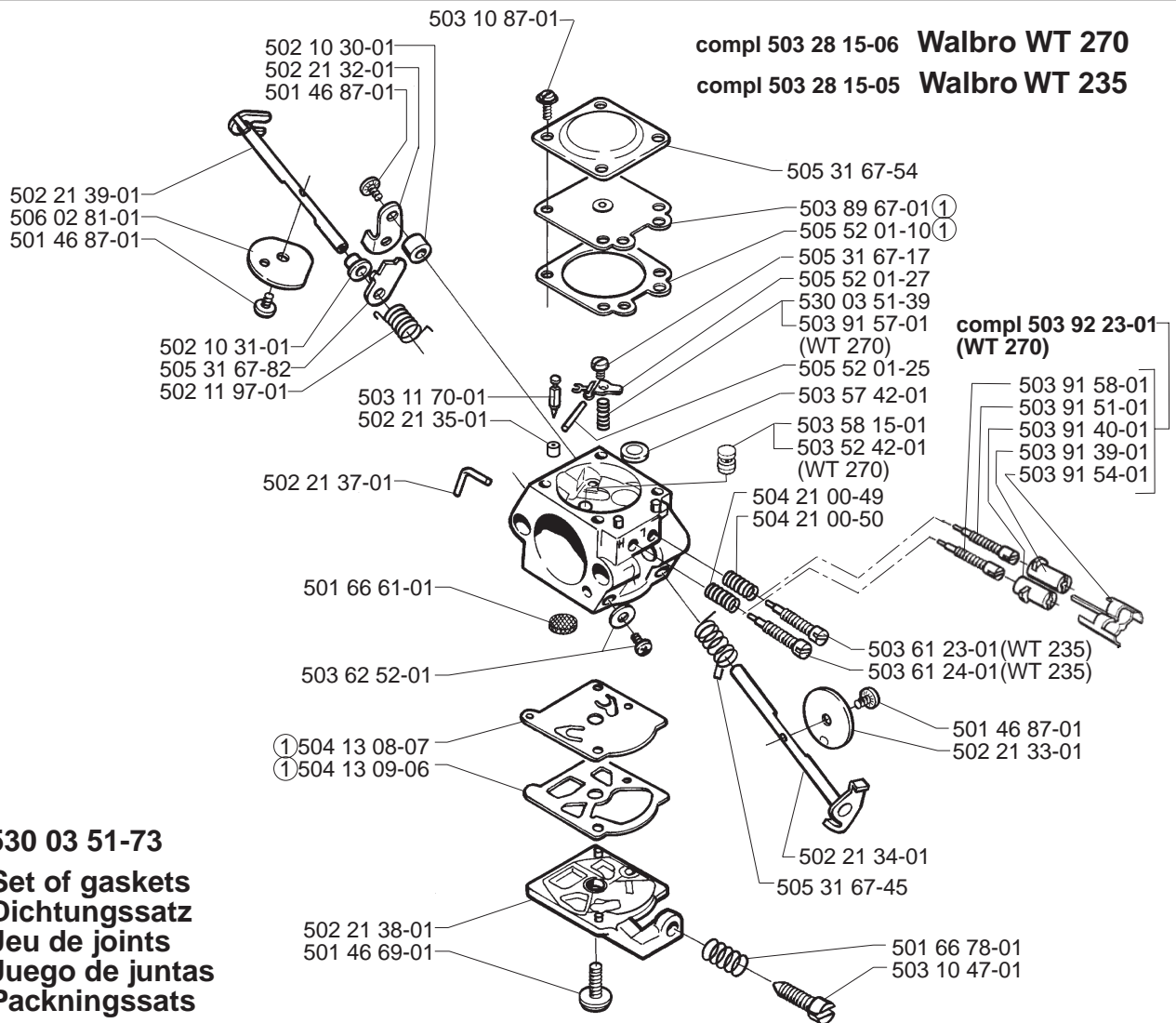
**232 R/RD/L****H**

\*compl 503 79 06-01

**M**

\*compl 502 18 95-01

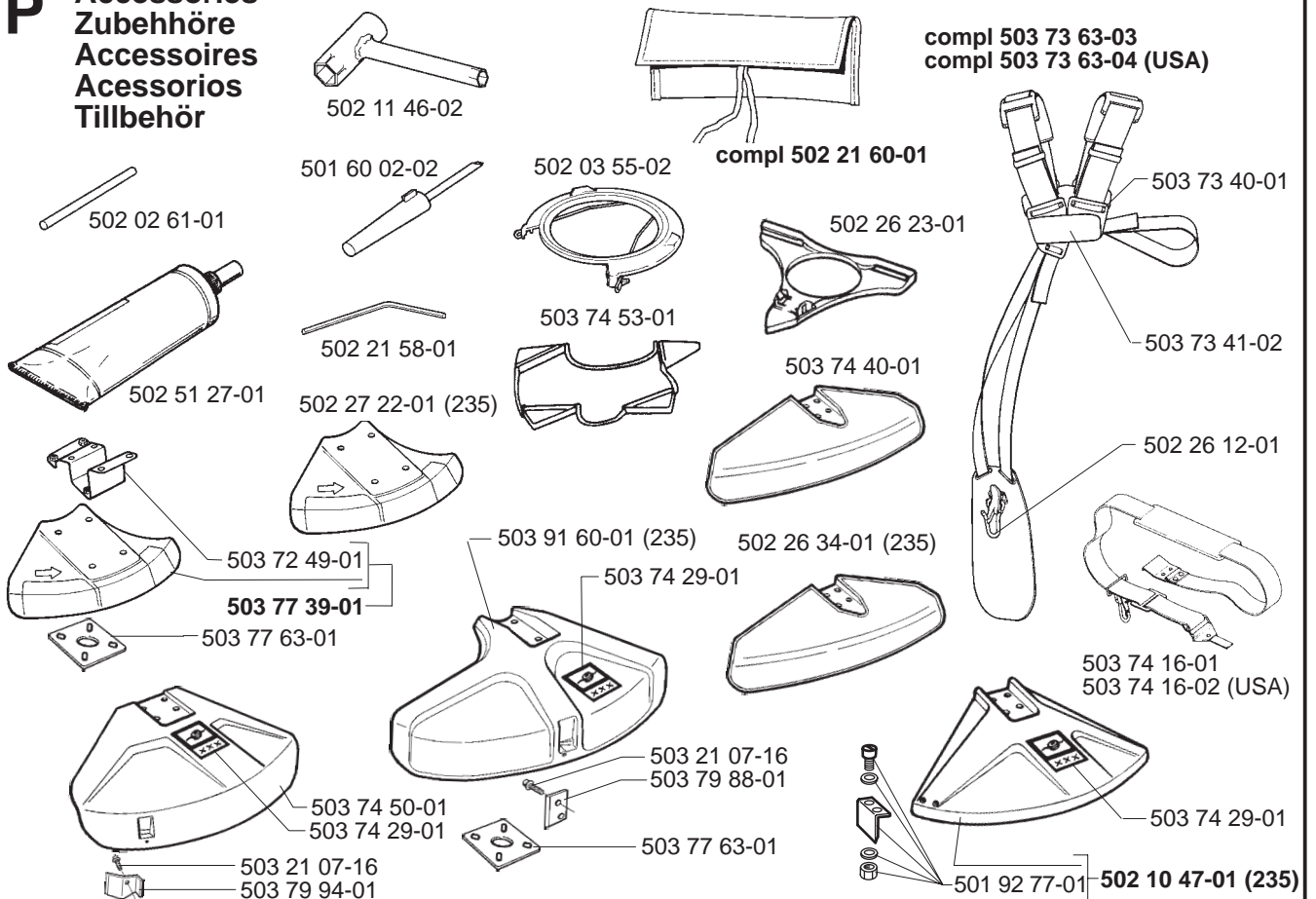


**N**① **530 03 51-73**

**Set of gaskets**  
**Dichtungssatz**  
**Jeu de joints**  
**Juego de juntas**  
**Packningsats**

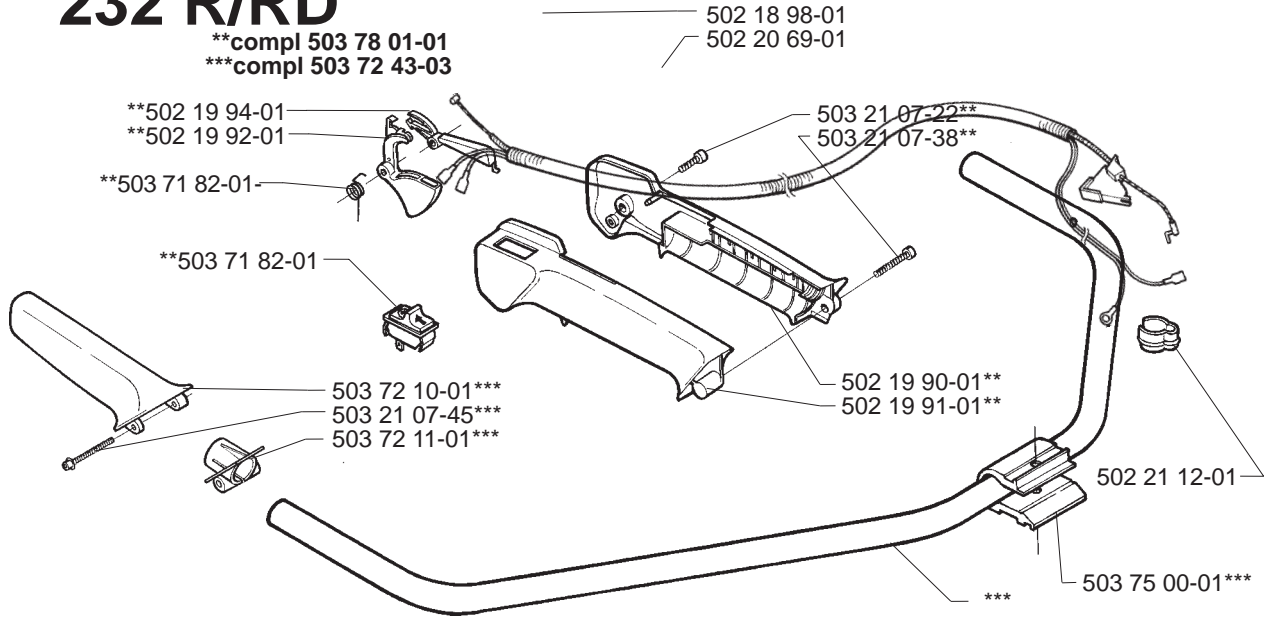
**P**

**Accessories**  
**Zubehöre**  
**Accessoires**  
**Accessorios**  
**Tillbehör**



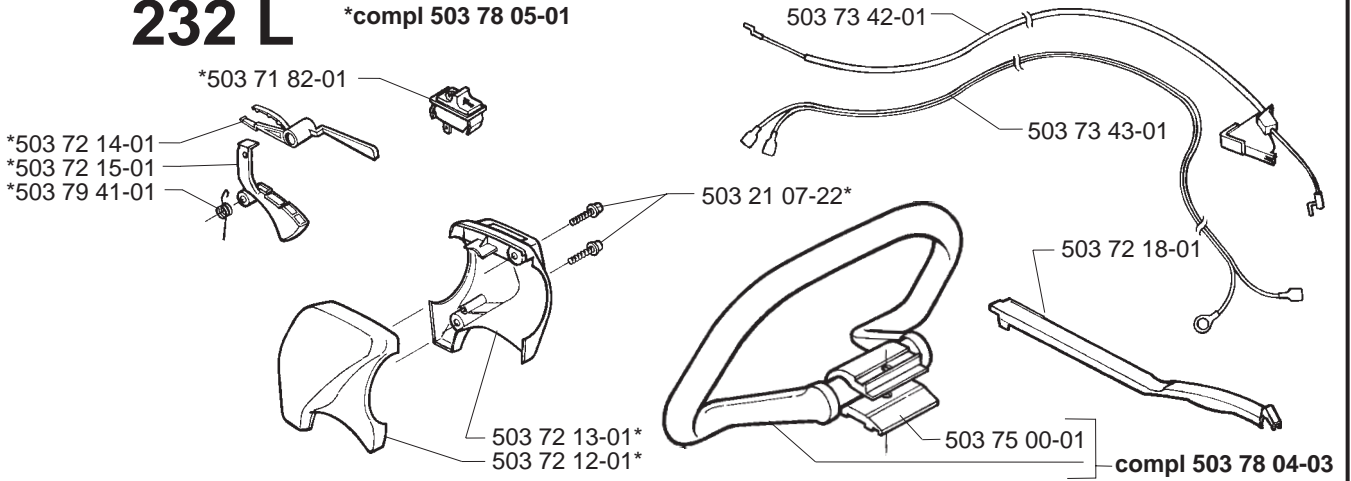
# R 232 R/RD

\*\*compl 503 78 01-01  
 \*\*\*compl 503 72 43-03

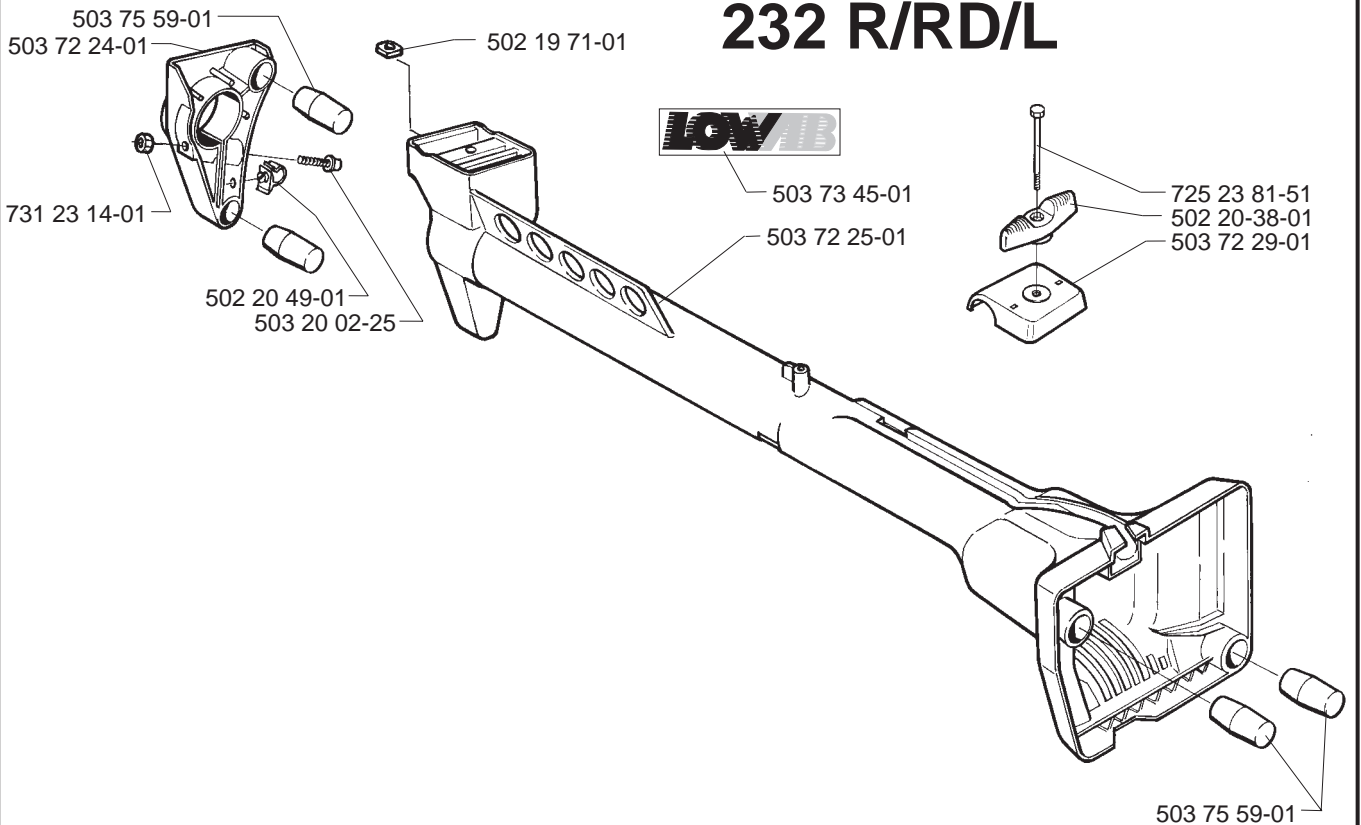


# 232 L

\*compl 503 78 05-01

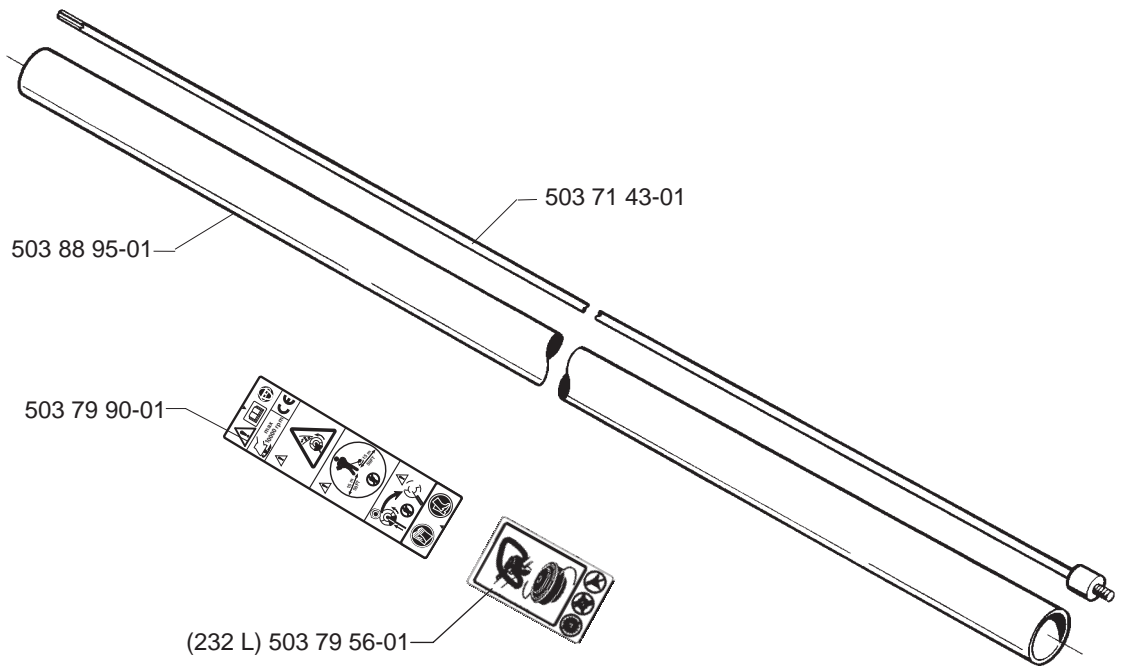


# 232 R/RD/L

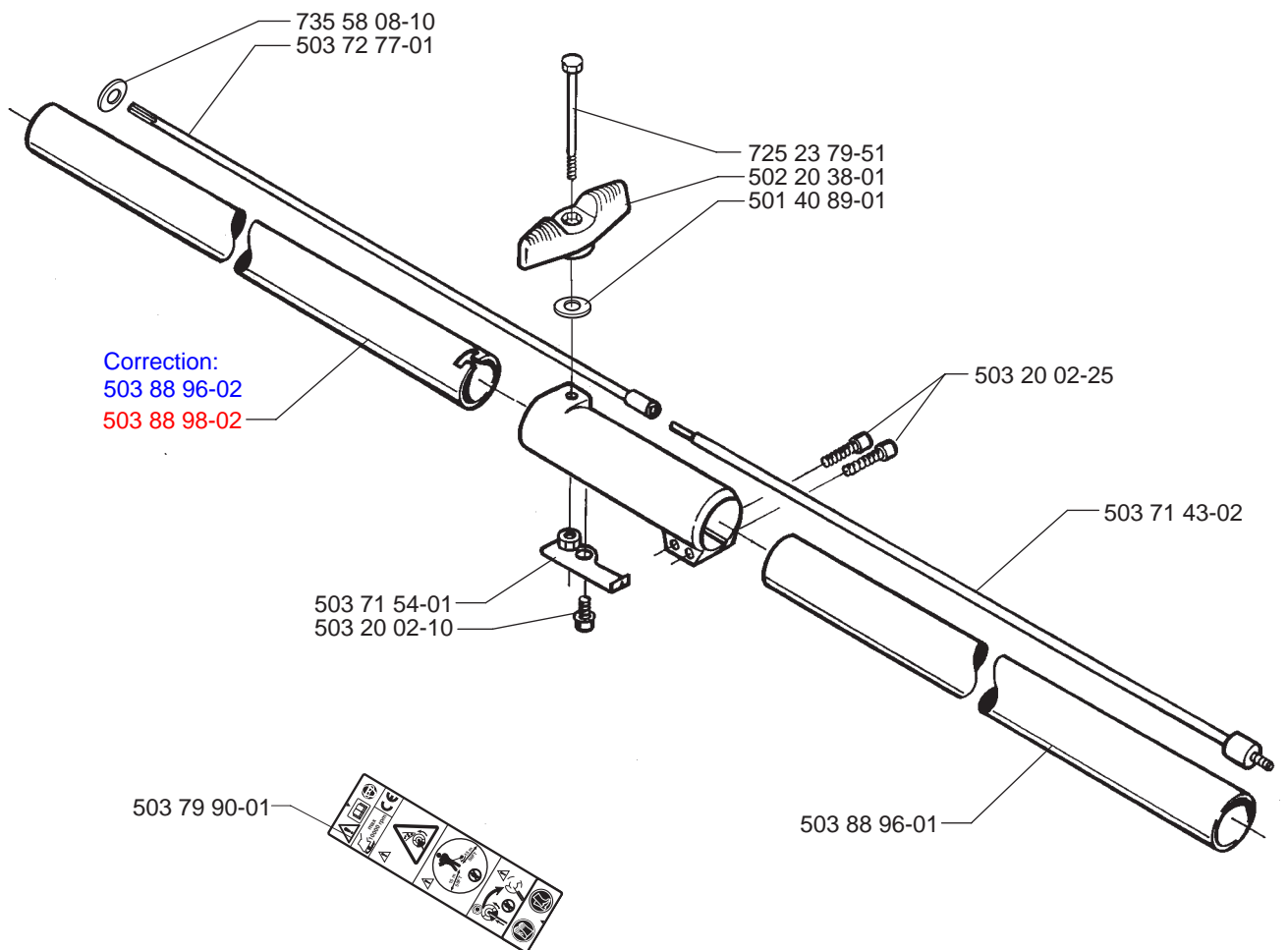


S

# 232 R/L



# 232 RD



PART NUMBER	SQUARE	NOTE	PART NUMBER	SQUARE	NOTE	PART NUMBER	SQUARE	NOTE	PART NUMBER	SQUARE	NOTE
501 27 82-01	L		502 21 38-01	N		503 73 45-01	A		725 23 81-51	J	
501 40 89-01	S	N	502 21 39-01	N		503 73 63-03	P		725 53 72-55	L	
501 46 69-01	N		502 21 43-02	D		503 73 63-04	P		731 23 14-01	A,K	
501 46 87-01	N		502 21 57-01	F		503 74 16-01	P		735 31 11-00	Q	
501 48 54-02	H		502 21 57-03	F		503 74 16-02	P		735 31 14-00	B	
501 60 02-02	P		502 21 58-01	P		503 74 29-01	P		735 31 25-10	Q	
501 66 61-01	N		502 21 60-01	P		503 74 40-01	P		735 31 28-10	B	
501 66 78-01	N		502 21 70-01	J		503 74 50-01	P		735 31 31-10	Q	
501 76 83-24	L		502 21 92-03	Q		503 74 53-01	P		735 31 33-10	B	
501 92 77-01	P		502 26 12-01	P		503 75 34-01	Q		735 58 08-10	S	N
502 02 61-01	P		502 26 23-01	P		503 77 39-01	P		737 44 10-00	D	
502 03 10-03	B		502 26 34-01	P		503 77 53-01	M		738 21 01-00	B	
502 03 55-02	P		502 27 22-01	P		503 77 63-01	P		738 21 99-00	Q	
502 04 55-01	B		502 51 27-01	P		503 79 05-01	H		738 22 01-19	Q	
502 10 30-01	N		503 10 47-01	N		503 79 06-01	H	N	738 22 01-25	G	
502 10 31-01	N		503 10 87-01	N		503 79 56-01	S	N	738 22 01-25	G	
502 10 47-01	P		503 11 70-01	N		503 79 88-01	P		738 22 02-19	B	
502 11 46-02	P		503 16 13-02	F		503 79 90-01	A				
502 11 97-01	N		503 20 02-10	S	N	503 79 90-01	S				
502 18 50-01	B		503 20 02-20	B,Q		503 79 94-01	P				
502 18 94-02	F		503 20 02-25	S		503 81 16-01	K				
502 18 94-03	F		503 20 02-25	B,Q		503 81 24-01	H				
502 18 95-01	M		503 20 02-30	A,F		503 81 29-01	H				
502 18 96-01	A		503 20 21-63	E		503 82 80-03	L	N			
502 18 98-01	A		503 20 25-16	H		503 84 00-01	L				
502 19 36-01	B		503 21 06-16	M		503 84 35-01	B				
502 19 46-01	B		503 21 06-25	F,M		503 85 32-01	Q				
502 19 58-03	J		503 21 07-16	P	N	503 86 58-01	H				
502 19 60-01	J		503 21 07-22	J		503 88 94-01	A				
502 19 63-01	M		503 21 07-38	J		503 88 95-01	S				
502 19 71-01	A		503 21 07-50	K		503 88 96-01	S	N			
502 19 84-01	K		503 21 29-06	M		503 88 98-02	S	N			
502 19 85-01	K		503 21 44-25	C		503 89 67-01	N				
502 19 86-02	K		503 22 10-11	H		503 90 46-01	E				
502 19 88-02	C		503 22 63-01	L		503 90 47-01	E				
502 19 90-01	J		503 23 00-35	M	N	503 90 61-01	C				
502 19 91-01	J		503 23 01-01	H		503 90 67-01	G				
502 19 92-01	J		503 23 51-08	D		503 91 07-01	G				
502 19 93-01	J		503 24 44-01	H	N	503 91 07-01	G				
502 19 94-01	J		503 28 15-05	K,N		503 91 25-01	E				
502 19 97-01	J		503 28 15-06	K,N		503 91 34-01	G				
502 20 06-01	M		503 28 90-27	D		503 91 34-01	G				
502 20 11-01	K		503 41 41-01	D,G		503 91 39-01	N				
502 20 31-01	A		503 44 32-01	L		503 91 40-01	N				
502 20 32-01	A		503 52 12-04	F	N	503 91 51-01	N				
502 20 33-01	A		503 52 42-01	N		503 91 54-01	N				
502 20 38-01	J		503 57 42-01	N		503 91 57-01	N				
502 20 38-01	S		503 58 15-01	N		503 91 58-01	N				
502 20 40-01	K	N	503 61 23-01	N		503 91 60-01	P				
502 20 49-01	A		503 61 24-01	N		503 92 23-01	N				
502 20 65-02	K		503 62 52-01	N		504 13 08-07	N				
502 20 69-01	A		503 68 64-02	D		504 13 09-06	N				
502 20 88-01	D		503 69 46-01	D		504 21 00-49	N				
502 21 12-01	J		503 69 63-01	Q		504 21 00-50	N				
502 21 23-01	K		503 69 67-01	Q		505 30 51-25	M	N			
502 21 25-25	M		503 70 07-01	Q		505 31 67-17	N				
502 21 25-26	M		503 70 29-01	Q		505 31 67-45	N				
502 21 25-28	M		503 70 55-01	Q		505 31 67-54	N				
502 21 25-31	M	N	503 71 40-01	F		505 31 67-82	N				
502 21 26-01	C		503 71 43-01	S	N	505 52 01-10	N				
502 21 26-02	C	N	503 71 43-02	S		505 52 01-25	N				
502 21 26-03	C		503 71 48-01	Q		505 52 01-27	N				
502 21 26-04	C		503 71 54-01	S	N	506 02 81-01	N				
502 21 28-03	G		503 71 63-01	K		530 02 98-05	D				
502 21 29-01	B		503 71 82-01	J		530 03 51-39	N				
502 21 32-01	N		503 72 49-01	P		530 03 51-73	N				
502 21 33-01	N		503 72 77-01	S	N	530 03 71-60	M				
502 21 34-01	N		503 72 80-01	D		531 00 20-01	B				
502 21 35-01	N		503 73 40-01	P		531 00 20-02	B				
502 21 37-01	N		503 73 41-02	P		725 23 79-51	S	N			