

shindaiwa

PARTS PRICE LIST

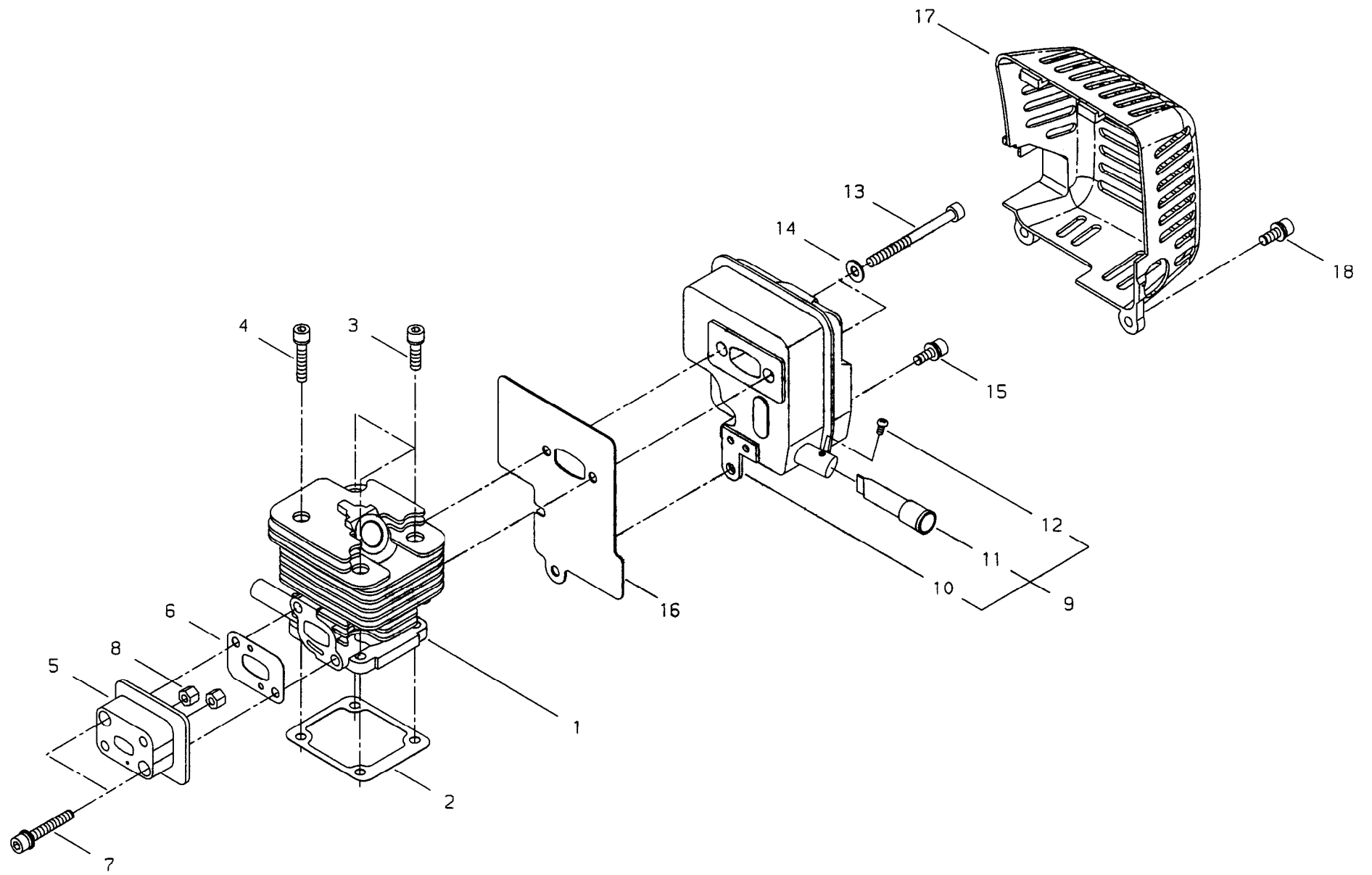
C 3 0 0

Shindaiwa Kogyo Co.,Ltd.

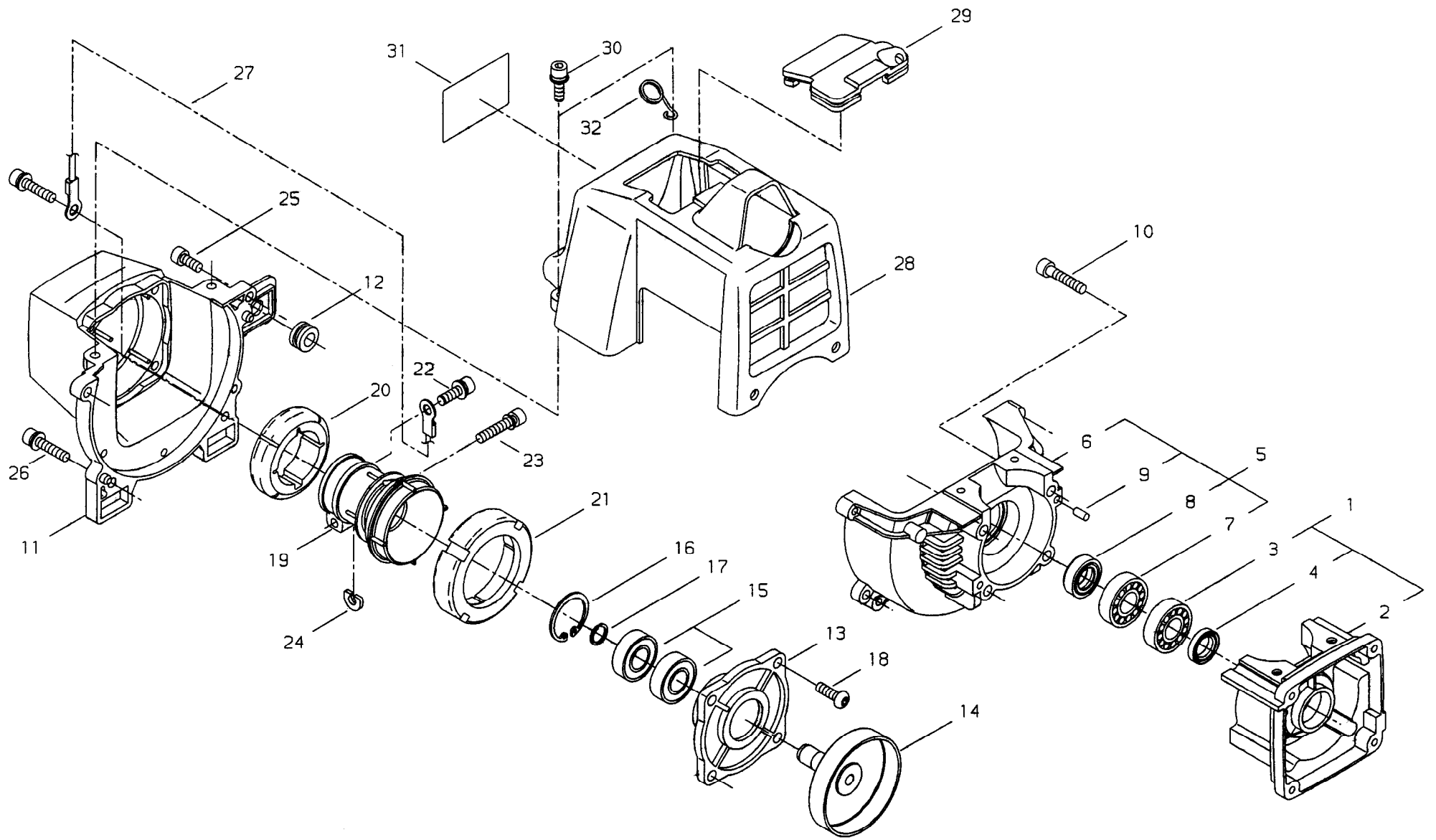
6-2-11,Ozuka-Nishi, Asaminami-ku, Hiroshima, 731-3167, Japan

Telephone (082) 849-2005 Fax (082) 849-2481

C 3 0 0 / E C 1
NOV . 1 1 , 2 0 0 4
P r i n t e d i n J a p a n

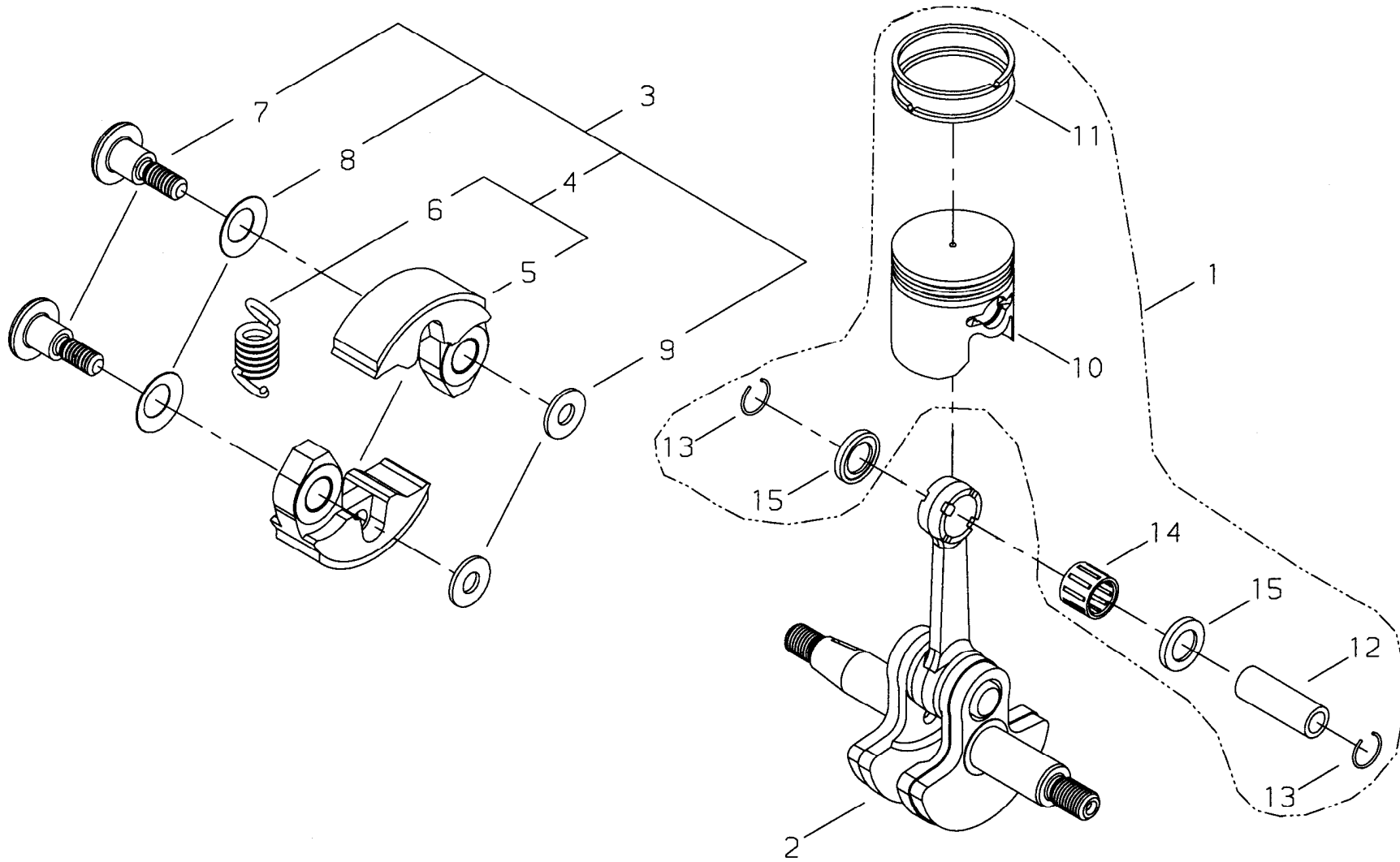


Ref. No	Part No.	Part Name	Q' ty
1- 1	20024-12110	CYLINDER	1
2	62074-12120	GASKET CYLINDER	1
3	11020-05160	BOLT SW	3
4	11020-05300	BOLT SW	1
5	70244-12210	INSULATOR	1
6	20024-12221	GASKET INSULATOR	1
7	11022-05200	BOLT SPW	2
8	20024-12260	NUT	2
9	70103-15100	MUFFLER SUB ASSY	1
10	70103-15110	• MUFFLER	1
11	70103-15150	• SPARK ARRESTER	1
12	01270-03062	• SCREW TAPPING	1
13	01020-05550	BOLT	2
14	01610-05080	WASHER	2
15	11022-05120	BOLT SPW	1
16	20024-15210	GASKET MUFFLER	1
17	70102-15180	MUFFLER GUARD	1
18	11022-05160	BOLT SPW	2

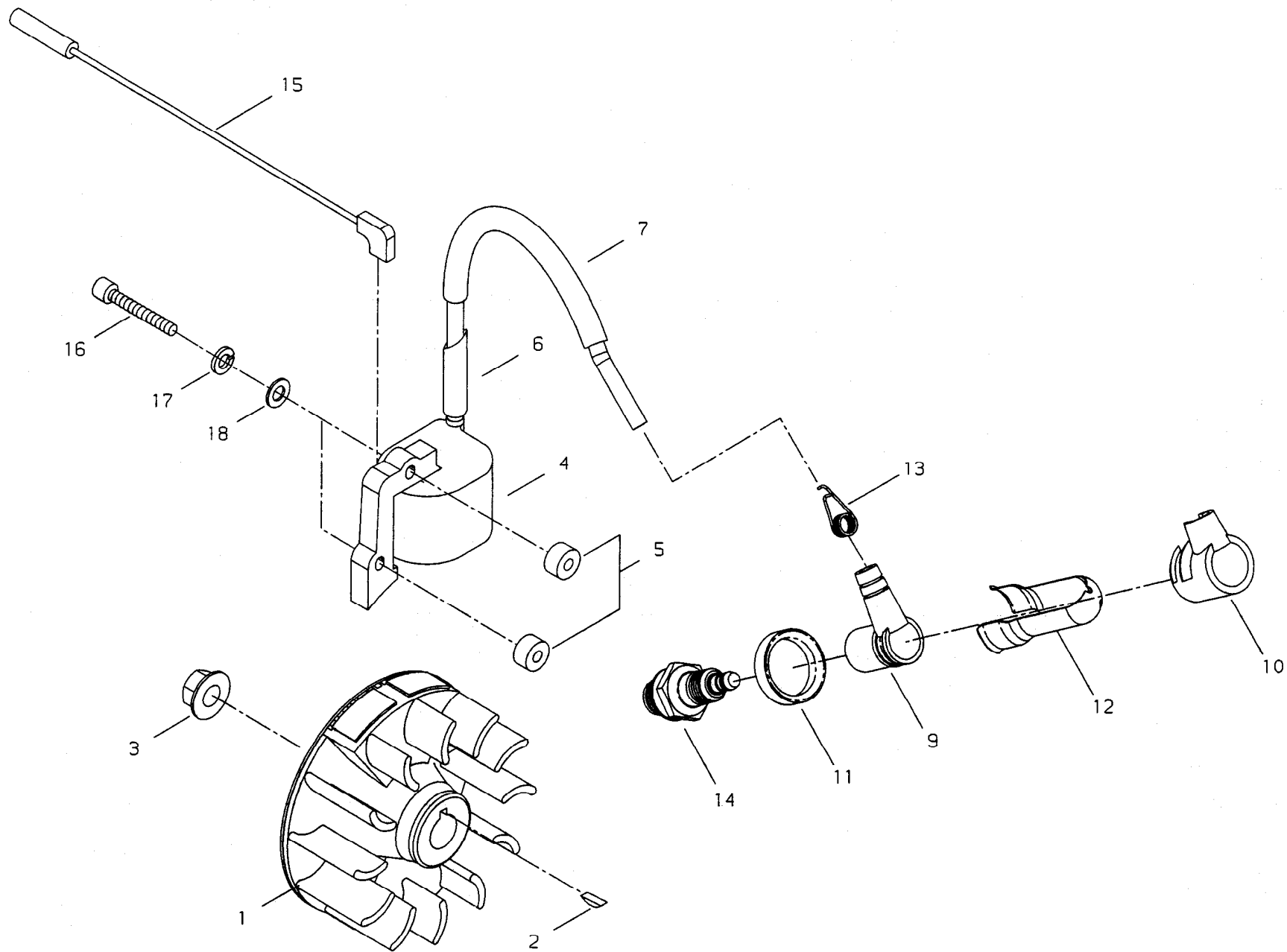


Ref. No	Part No.	Part Name	Q'ty
2- 1	62073-21010	CRANK CASE S COMP	1
2	20024-21110	• CRANK CASE S	1
3	12900-62010	• BEARING	1
4	20000-21211	• OIL SEAL	1
5	62073-21020	CRANK CASE M COMP	1
6	20024-21120	• CRANK CASE M	1
7	12900-62010	• BEARING	1
8	20000-21211	• OIL SEAL	1
9	12492-50100	• DOWEL PIN	2
10	01020-05250	BOLT	4
11	70102-31110	FAN COVER	1
12	70105-31520	GROMMET	1
13	20024-31130	CLUTCH CASE	1
14	72575-98021	CLUTCH DRUM	1
15	02036-06001	BEARING	2
16	02432-28120	SNAP RING	1
17	20000-31140	SNAP RING	1
18	11210-05160	SCREW BUTTON	4
19	20024-31410	JOINT	1
20	20024-31421	FRONT CUSHION	1
21	20024-31421	FRONT CUSHION	1
22	11022-05160	BOLT SPW	1
23	11022-06280	BOLT SPW	1
24	20024-31460	SHIM	1
25	11020-05180	BOLT SW	2
26	11022-05300	BOLT SW	2
27	70192-31510	EARTH CORD	1
28	70102-31211	CYLINDER COVER	1
29	20024-31231	DUST CAP	1
30	11022-05160	BOLT SPW	2
31	62098-91320	LABEL TRADE	1
32	20024-83152	CABLE HOLDER	1

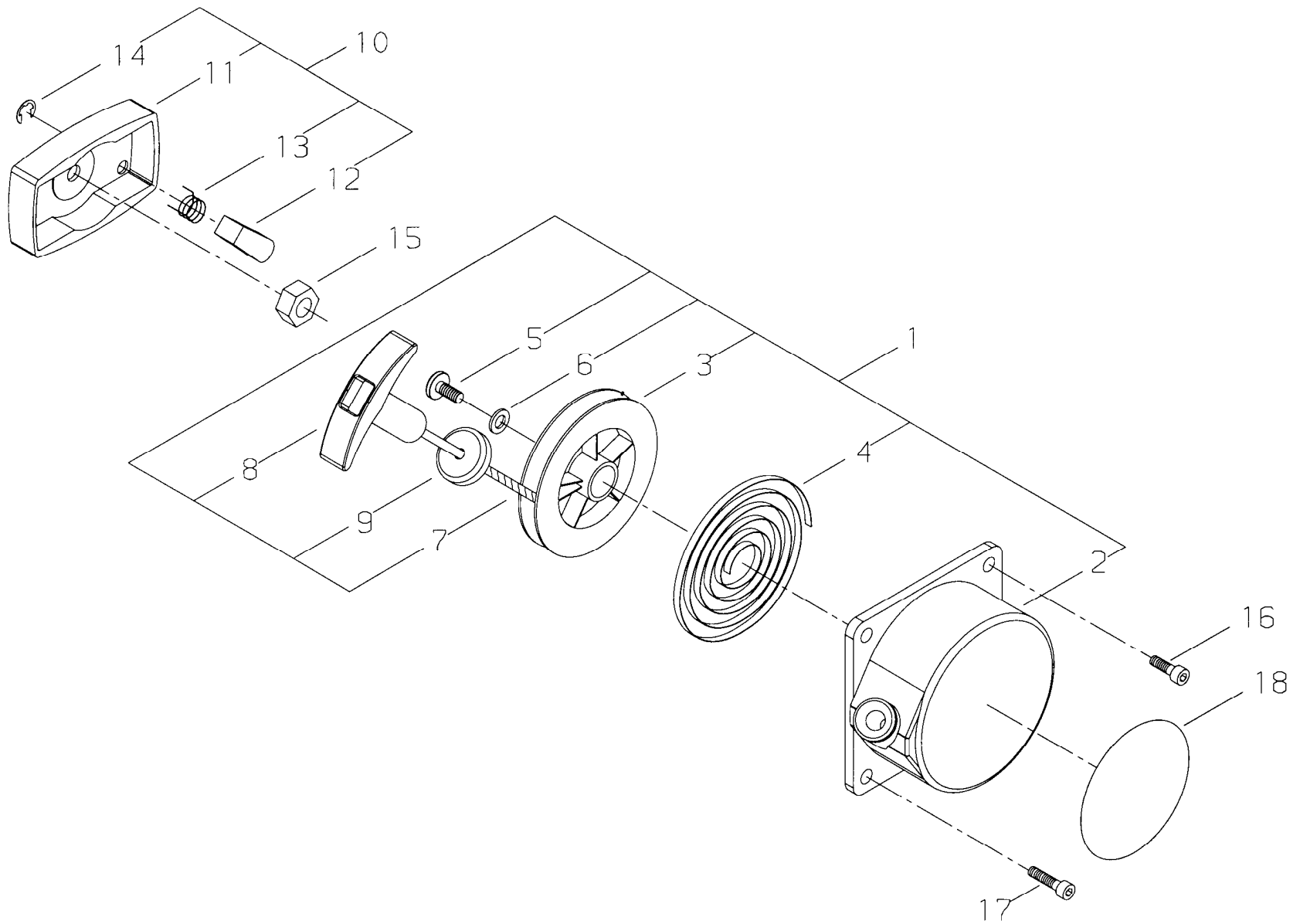
PARTS LIST
SHINDAIWA
(L138 LIA0380P)



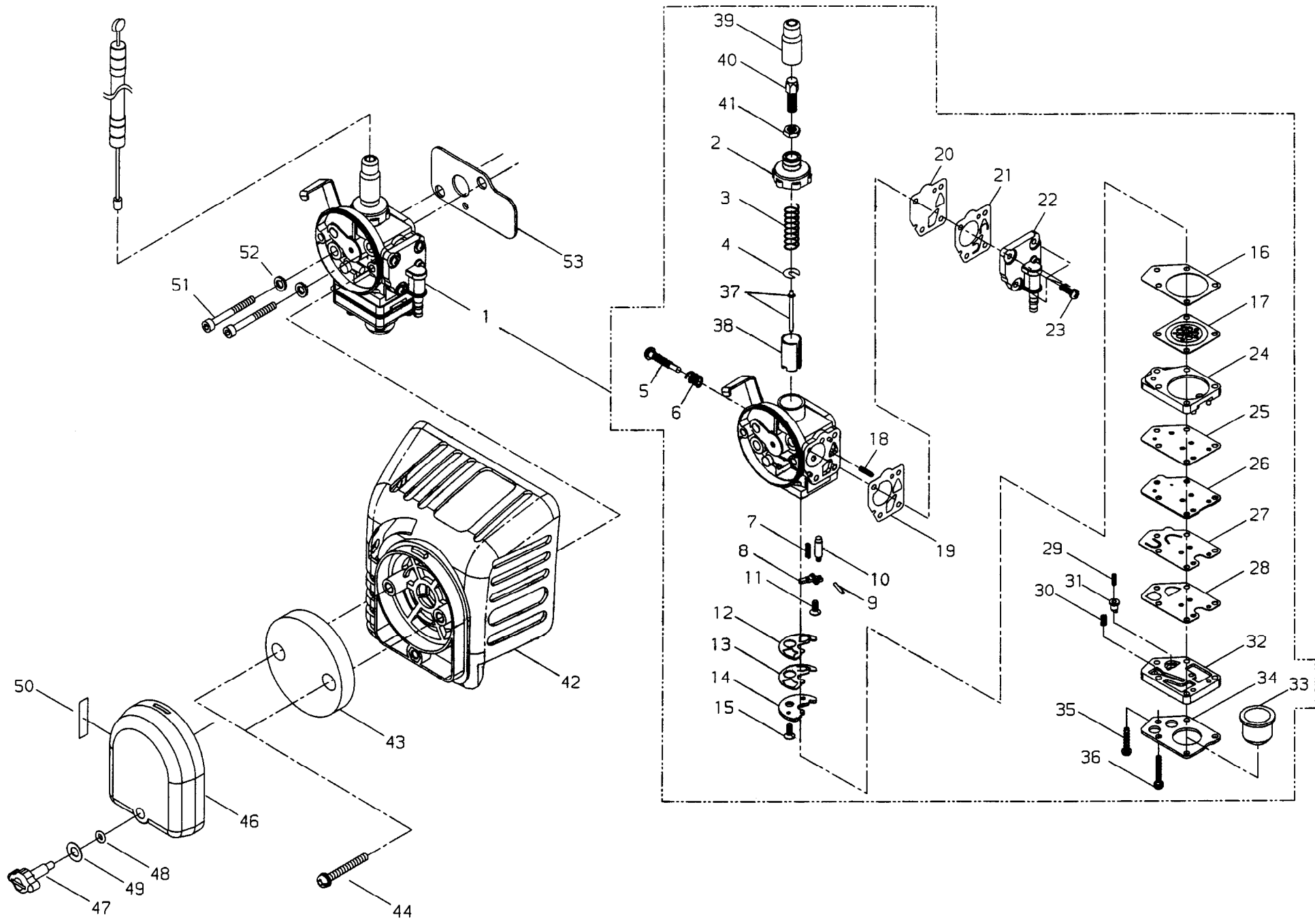
Ref. No	Part No.	Part Name	Qty
3- 1	20024-41000	PISTON ASSY	1
10	20024-41110	• PISTON	1
11	20024-41210	• PISTON RING	2
12	20024-41311	• PISTON PIN	1
13	20000-41320	• SNAP RING	2
14	37019-41230	• NEEDLE BEARING	1
15	37019-41240	• THRUST WASHER	2
2	20024-42001	CRANK SHAFT ASSY	1
3	72575-98031	CLUTCH SHOE ASSY	1
4	72575-98040	• CLUTCH SHOE SUB ASSY	1
5	72575-98050	CLUTCH SHOE	2
6	72575-98060	SPRING	1
7	72575-98071	• CLUTCH BOLT	2
8	20087-51231	• SPRING PLATE	2
9	22100-71430	• WASHER	2



Ref. No	Part No.	Part Name	Q'ty
4- 1	20024-71201	ROTOR	1
	2 02403-03100	KEY	1
	3 20035-71220	NUT	1
	4 20024-71610	COIL	1
	5 70030-71620	INSULATOR	2
	6 20024-72112	TUBE	1
	7 70168-71660	TUBE	1
	9 20010-72221	PLUG CAP	1
	10 20000-72241	PLUG CAP COVER	1
	11 20000-72250	COVER BAND	1
	12 70180-72260	SHIELD	1
	13 20000-72230	SPRING SPARK PLUG	1
	14 13000-13506	SPARK PLUG BPMR6A	1
	15 70102-74130	CORD	1
	16 01020-04300	BOLT	2
	17 01600-04101	SPRING WASHER	2
	18 01613-04080	WASHER	2



Ref. No	Part No.	Part Name	Qty	
5-	1	70102-75101	RECOIL STARTER SUB ASSY	1
	2	70102-75111	• STARTER CASE	1
	3	20024-75120	• REEL	1
	4	20024-75130	• RECOIL SPRING	1
	5	20035-75170	• SCREW	1
	6	20024-75140	• WASHER	1
	7	20024-75160	• ROPE	1
	8	20024-75190	• STARTER KNOB	1
	9	20024-75180	• DAMPER	1
	10	20024-75200	STARTER PULLY SUB ASSY	1
	11	20024-75210	• STARTER PULLEY	1
	12	20024-75220	• RATCHET	1
	13	20024-75230	• RETURN SPRING	1
	14	20035-43230	• NUT	1
	15	20035-43230	NUT	1
	16	11022-05160	BOLT SPW	2
	17	11022-05250	BOLT SPW	2
	18	70005-75240	NAME PLATE	1

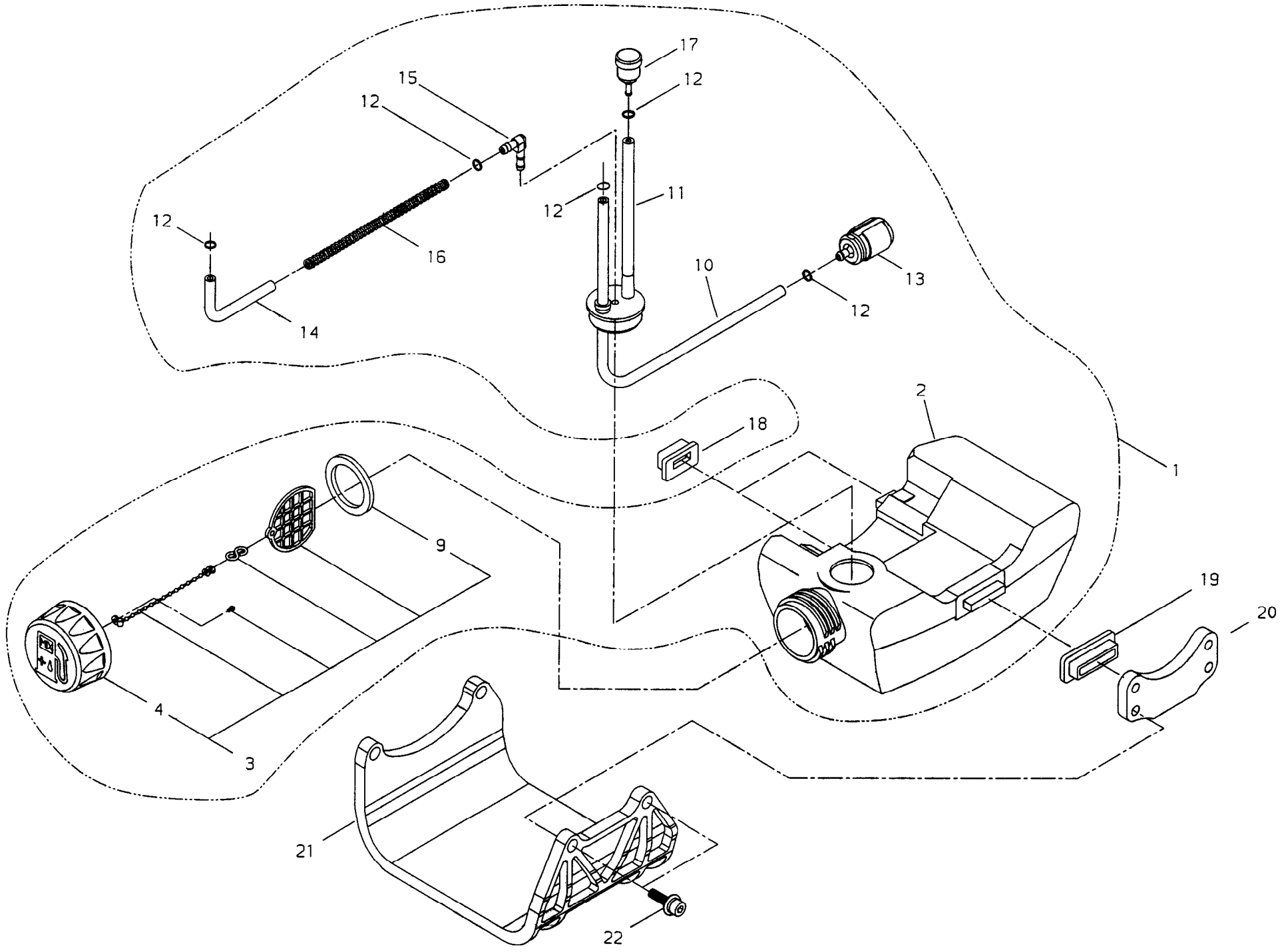


Ref. No	Part No.	Part Name	Q'ty
6- 1	70170-81020	CARBURETOR SUB ASSY	1
2	72920-81120	• BODY CAP	1
3	20011-81140	• SPRING	1
4	20000-81150	• SPRING RECEIVE	1
5	20000-81310	• SLOW STOP SCREW	1
6	72920-81820	• SPRING	1
7	20087-81480	• SPRING	1
8	20019-81450	• CONTROL LEVER	1
9	20011-81460	• PIN	1
10	20000-81441	• NEEDLE VALVE	1
11	20011-81470	• SCREW	1
12	20087-81420	• PACKING	1
13	20087-81411	• CHECK VALVE	1
14	20087-81430	• PLATE	1
15	20011-81470	• SCREW	1
16	20087-81510	• GASKET	1
17	20087-81520	• DIAPHRAGM	1
18	20011-81680	• SPRING	1
19	20011-81630	• GASKET	1
20	20011-81621	• DIAPHRAGM	1
21	20087-81660	• PUMP VALVE	1
22	20087-81640	• PUMP BODY	1
23	20000-81650	• SCREW	1
24	20087-81531	• COVER SUB ASSY	1
25	20087-81890	• PACKING	1
26	20087-81540	• GASKET	1
27	20087-81560	• PLATE	1
28	20087-81571	• CHECK VALVE	1
29	20087-81851	• SPRING	1
30	20087-81870	• SPRING	1
31	20087-81861	• VALVE	1
32	20087-81811	• PUMP BASE	1
33	20087-81820	• PUMP	1
34	20087-81830	• PLATE	1
35	20087-81840	• SCREW	1
36	20087-81880	• SCREW	4
37	70170-81170	• JET NEEDLE	1
38	70170-81180	• THROTTLE VALVE	1

PARTS LIST
SHINDAIWA
(L138 LIA0380P)

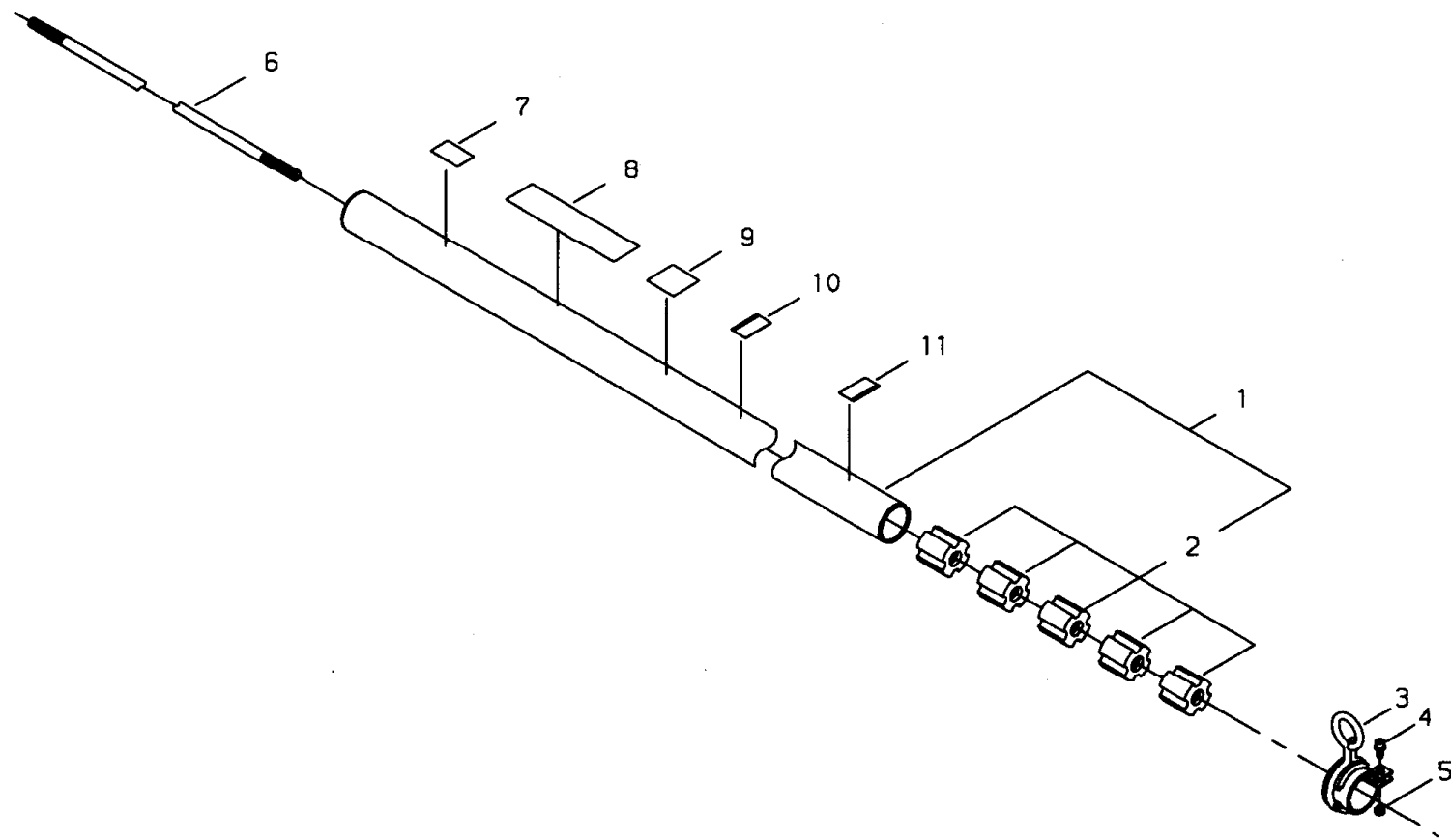
Ref. No	Part No.	Part Name	Q'ty
6- 39	72920-81130	• ADJUSTER CAP	1
40	72920-81140	• CABLE ADJUSTER	1
41	20000-81260	• LOCK NUT	1
42	70102-81710	CLEANER BODY	1
43	20056-81740	FILTER	1
44	11207-04250	SCREW PM SLPW	2
46	20024-81770	CLEANER COVER	1
47	20115-81780	KNOB CLEANER COVER	1
48	22100-82430	O RING	1
49	20024-81790	CONE WASHER	1
50	19404-00008	LABEL CHOKE	1
51	01020-05650	BOLT	2
52	01600-05131	SPRING WASHER	2
53	70244-83410	GASKET CARBURETOR	1

PARTS LIST
SHINDAIWA
(L I 38 L I A 0 3 8 0 P)

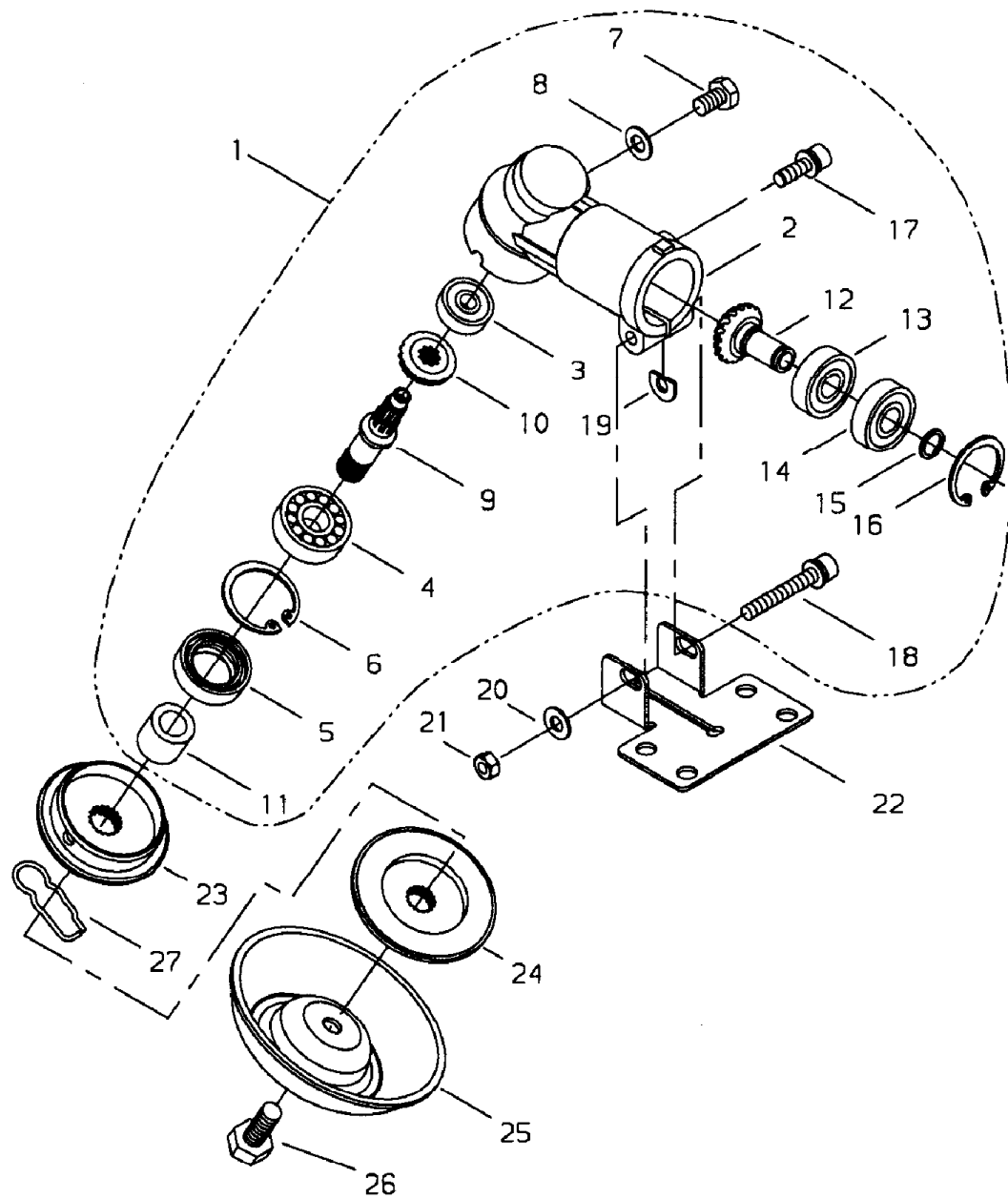


Ref. No	Part No.	Part Name	Q'ty
7- 1	70168-85001	FUEL TANK ASSY	1
2	70244-85110	• FUEL TANK	1
3	70168-85201	• FUEL CAP ASSY	1
4	70168-85210	FUEL CAP	1
9	20000-85221	GASKET	1
10	70170-85310	• FUEL PIPE	1
11	20089-85350	• GROMMET	1
12	20020-85540	• CLIP	5
13	22115-85401	• FUEL FILTER SUB ASSY	1
14	70170-83311	• PIPE	1
15	20087-85340	• JOINT	1
16	20019-83320	• SPRING	1
17	22197-33960	• VALVE	1
18	20024-86120	TANK CUSHION	2
19	20024-86130	TANK CUSHION	1
20	62074-85210	TANK BRACKET	1
21	62074-85310	TANK GUARD	1
22	11022-05200	BOLT SPW	2

PARTS LIST
SHINDAIWA
(LI38 LIA0380P)

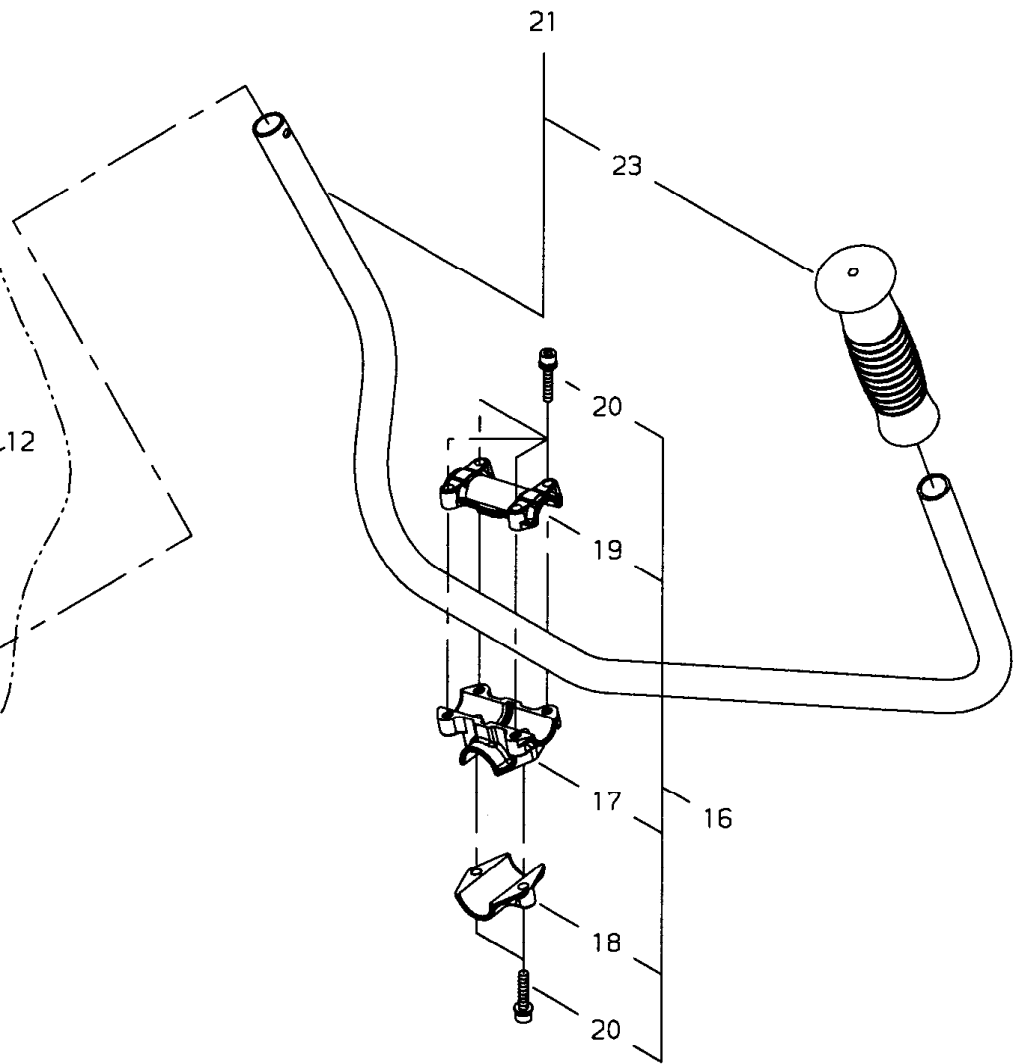
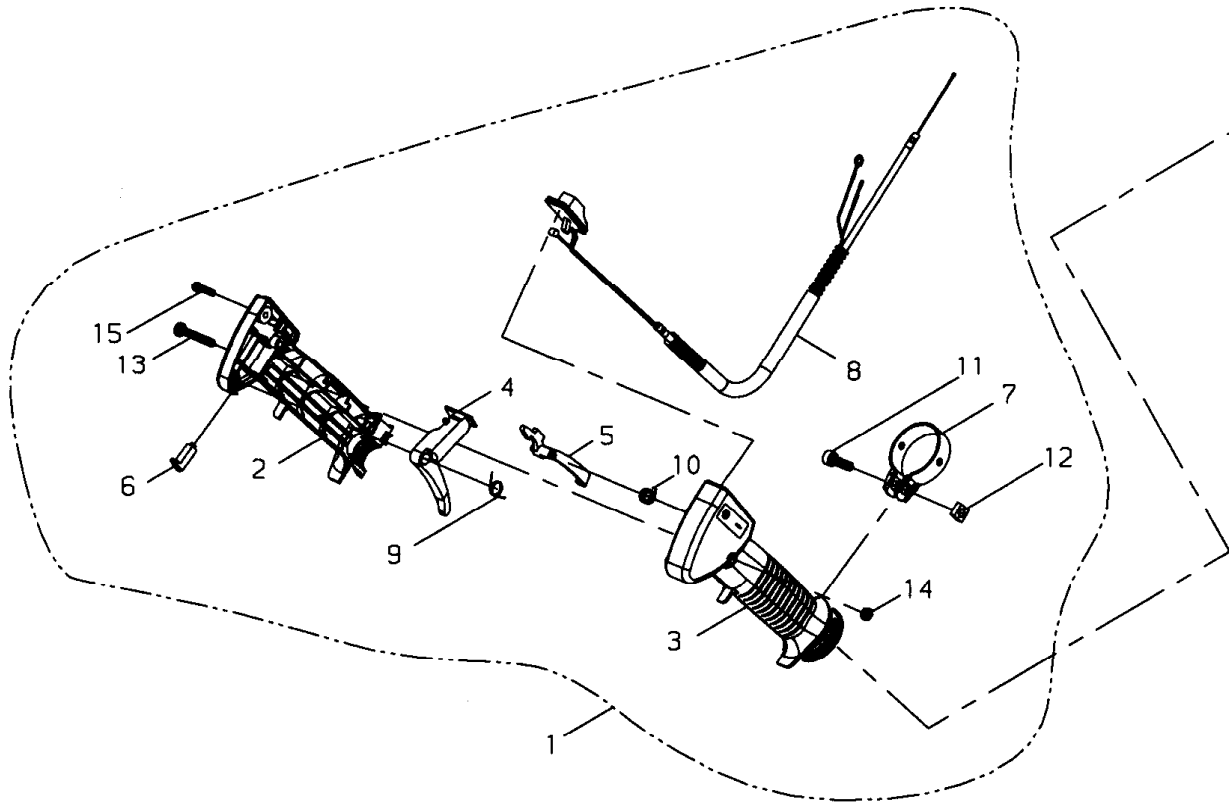


Ref. No	Part No.	Part Name	Q'ty
8- 1	22024-12102	OUTER PIPE SUB ASSY	1
2	22024-12120	• BUSH	5
3	22009-12210	HANGER	1
4	11022-05120	BOLT SPW	1
5	01500-05041	NUT	1
6	22000-12413	MAIN SHAFT	1
7	19402-00223	LABEL CAUTION	1
8	19422-00010	LABEL CAUTION	1
9	19404-00038	LABEL DECIBEL	1
10	72017-12150	HANDLE LABEL	1
11	72005-12140	CAUTION PLATE	1



Ref. No	Part No.	Part Name	Q' ty
9- 1	63000-63020	GEAR CASE COMP	1
2	22024-13112	• GEAR CASE	1
3	02046-00609	• BEARING	1
4	02000-06201	• BEARING	1
5	22024-13121	• OIL SEAL	1
6	02432-32120	• SNAP RING	1
7	22015-13410	• BOLT	1
8	22015-13420	• GASKET	1
9	72435-13210	• GEAR SHAFT	1
10	22024-13220	• BEVEL GEAR	1
11	22000-13230	• COLLAR	1
12	22024-13391	• PINION SET	1
13	02000-06901	• BEARING	1
14	02002-06901	• BEARING	1
15	20000-31140	• SNAP RING	1
16	02432-32120	• SNAP RING	1
17	11022-05160	• BOLT SPW	1
18	11022-06400	• BOLT SPW	1
19	22011-13450	• SHIM	1
20	01500-06051	NUT	1
21	01613-06100	WASHER	1
22	72441-16130	LOWER CLAMP	1
23	22024-13912	HOLDER A	1
24	63000-63170	HOLDER	1
25	72444-13290	STABILIZER	1
26	22000-13512	BOLT	1
27	22000-13530	SLIDE PIN	1

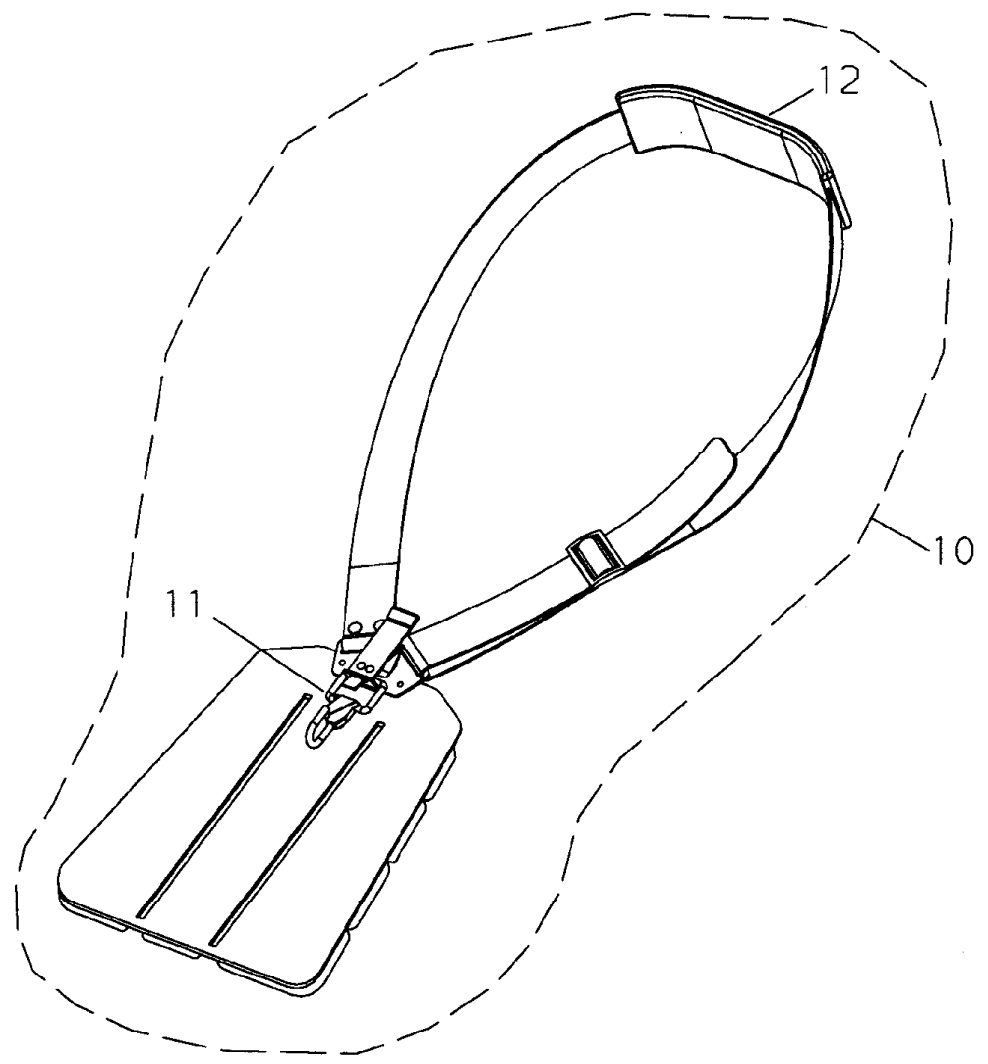
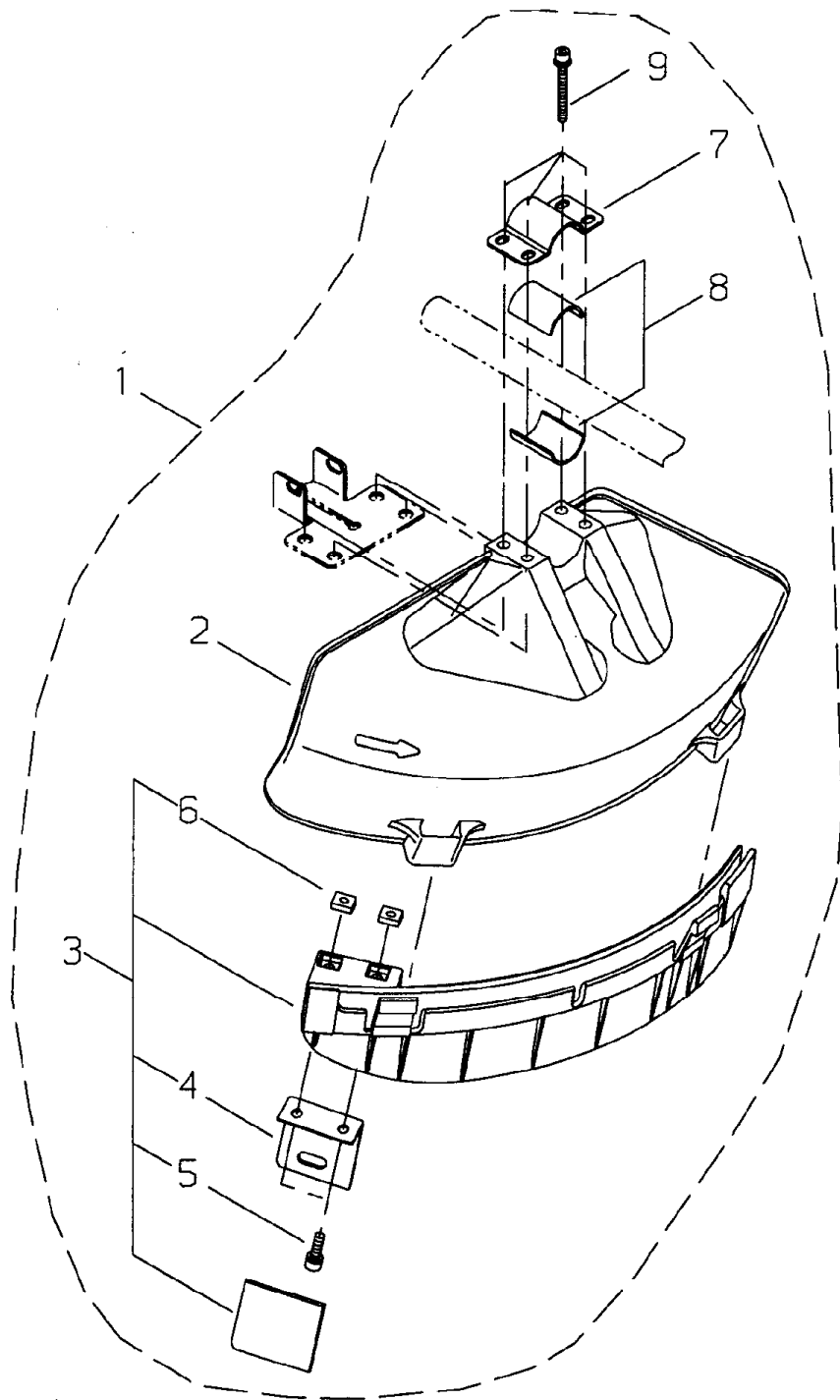
PARTS LIST
SHINDAIWA
(L I 3 8 L I A 0 3 8 0 P)

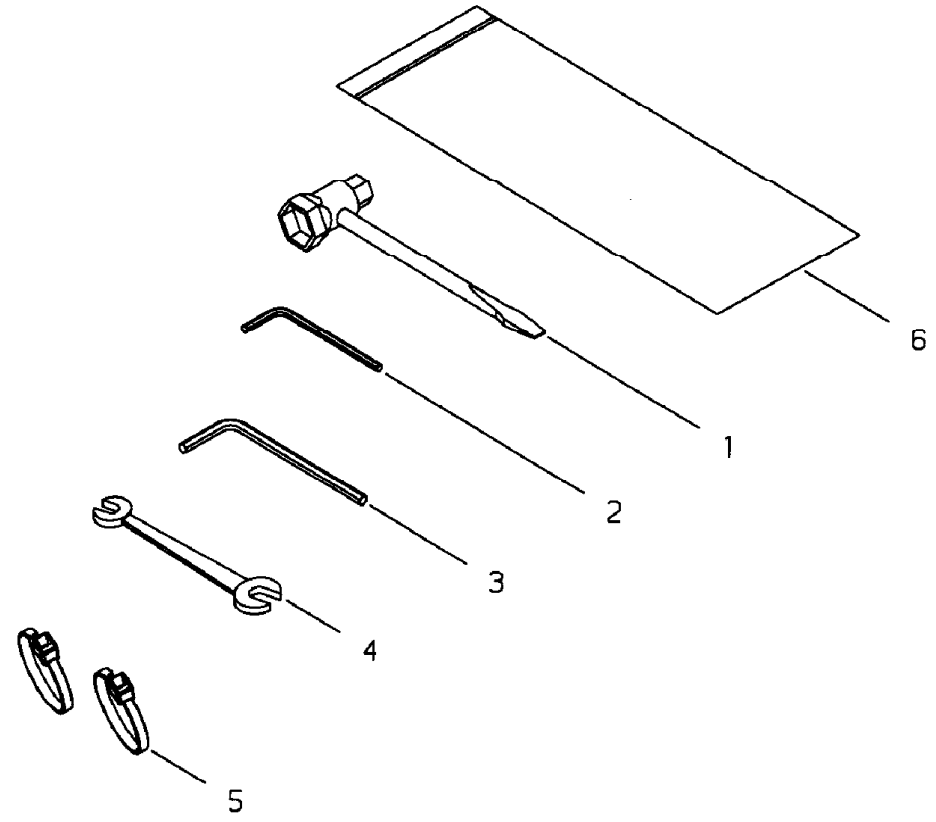


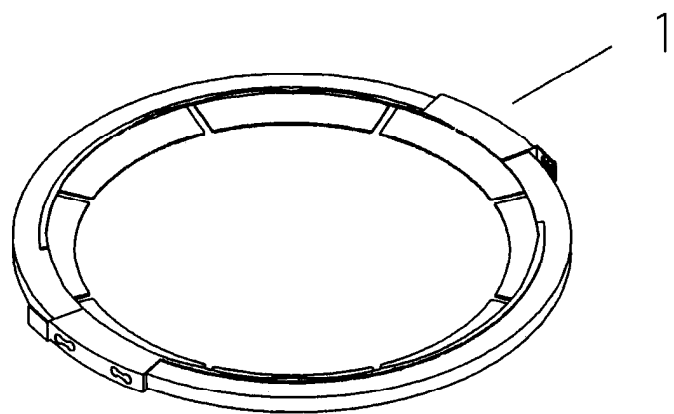
Ref. No	Part No.	Part Name	Q'ty
10- 1	62098-64250	THROTTLE LEVER ASSY	1
2	72431-14510	• BODY RIGHT	1
3	72431-14520	• BODY LEFT	1
4	72451-14530	• LEVER	1
5	72451-14540	• LOCK LEVER	1
6	72451-14550	• BUTTON	1
7	72451-14560	• CLAMP	1
8	62098-64310	• THROTTLE CABLE COMP	1
9	72451-14580	• RETURN SPRING	1
10	72451-14590	• SPRING	1
11	01020-06200	• BOLT	1
12	72451-14610	• NUT	1
13	11203-05350	• SCREW PM	1
14	72451-14630	• NUT	1
15	72451-14620	• SCREW TAPPING	1
21	72529-14200	HANDLE SUB ASSY	1
23	22421-14230	• GRIP	1
16	34000-64020	BRACKET ASSY	1
17	34000-64110	• BRACKET	1
18	34000-64120	• LOWER CAP	1
19	34004-64130	• UPPER CAP	1
20	11022-05250	• BOLT SPW	6

PARTS LIST
SHINDAIWA

(L138 LIA0380P)







Ref. No	Part No.	Part Name	Q'ty
13- 1	22550-92310	BLADE COVER	1

PARTS LIST
SHINDAIWA
(L 138 LIA0380P)