

365



1.1996

Spare parts

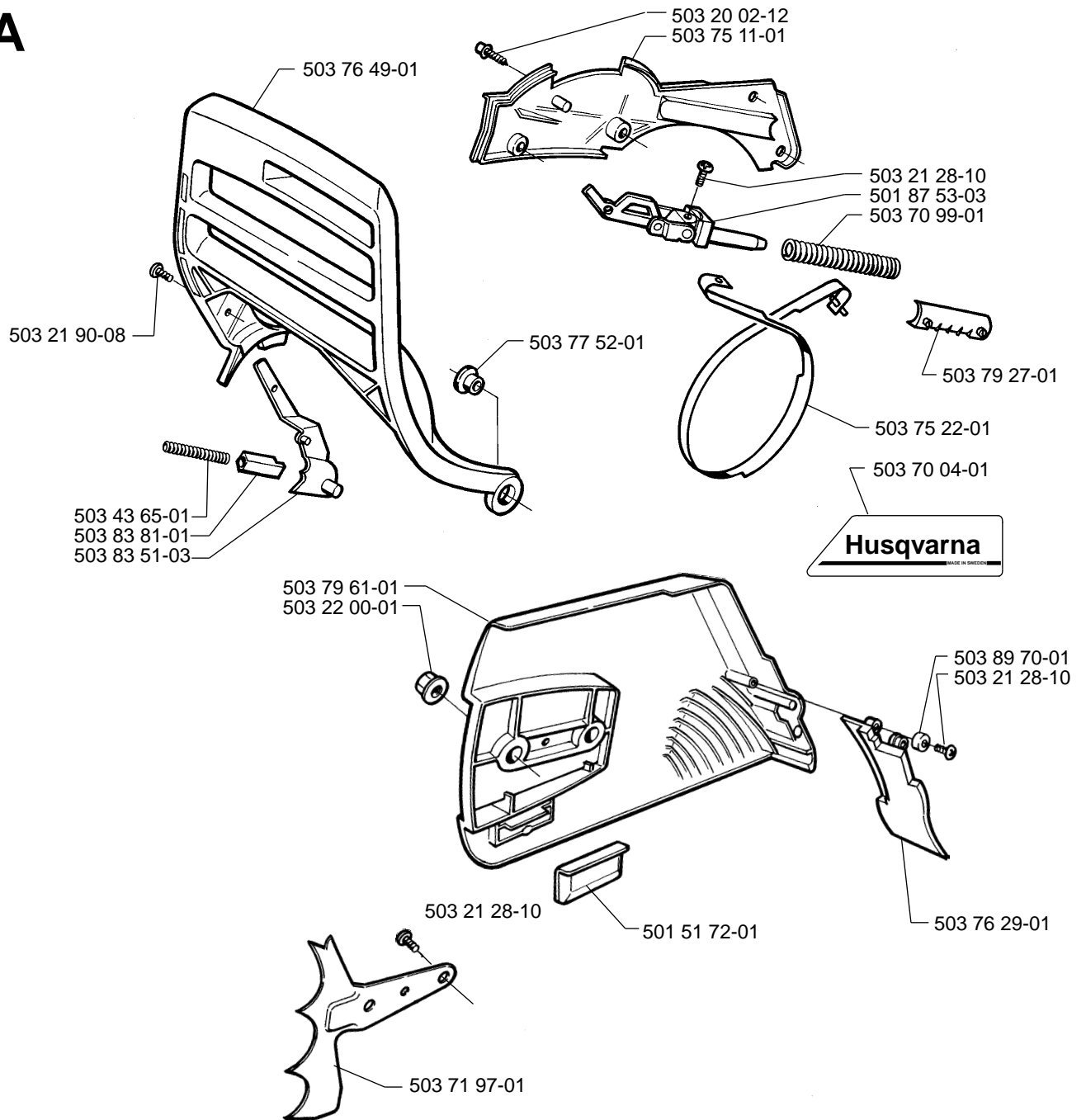
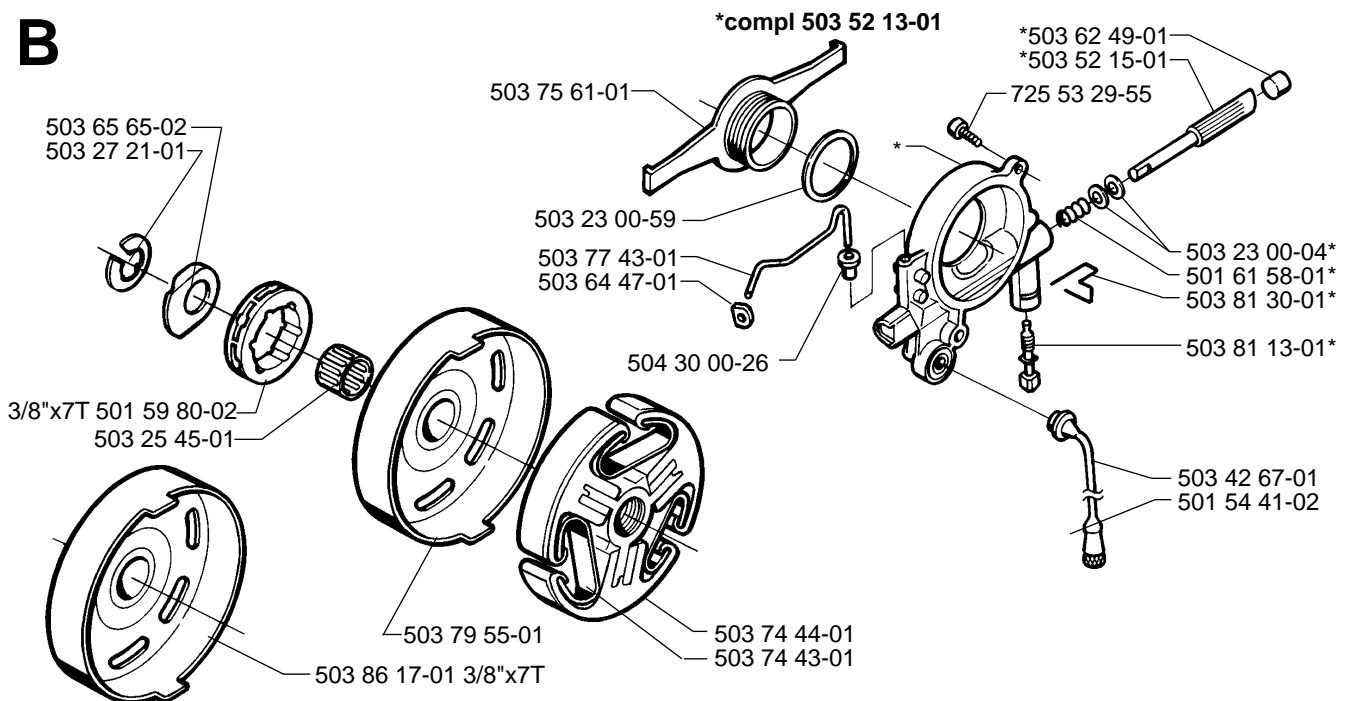
Ersatzteile

Pièces détachées

Reserve onderdelen

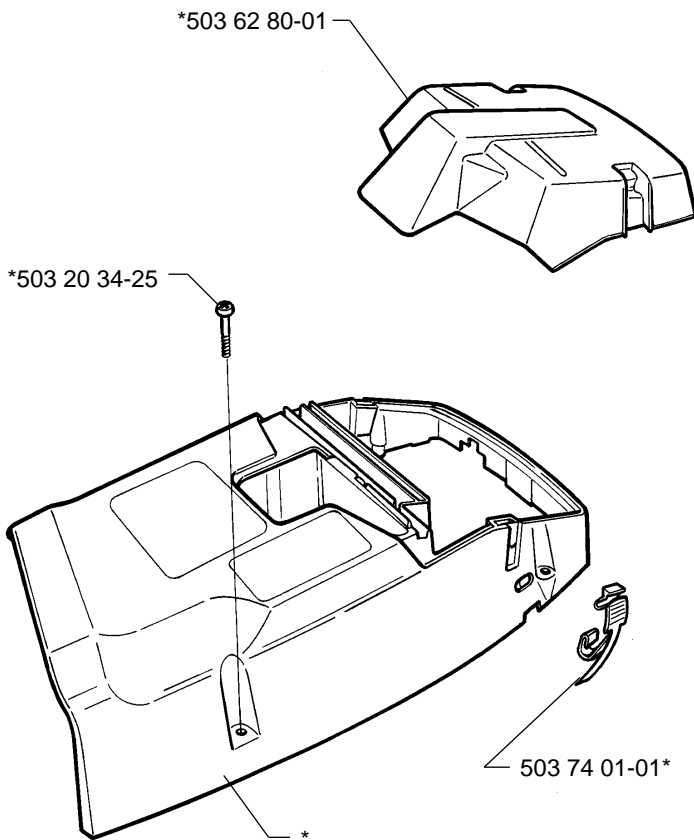
Repuestos

Reservdelar

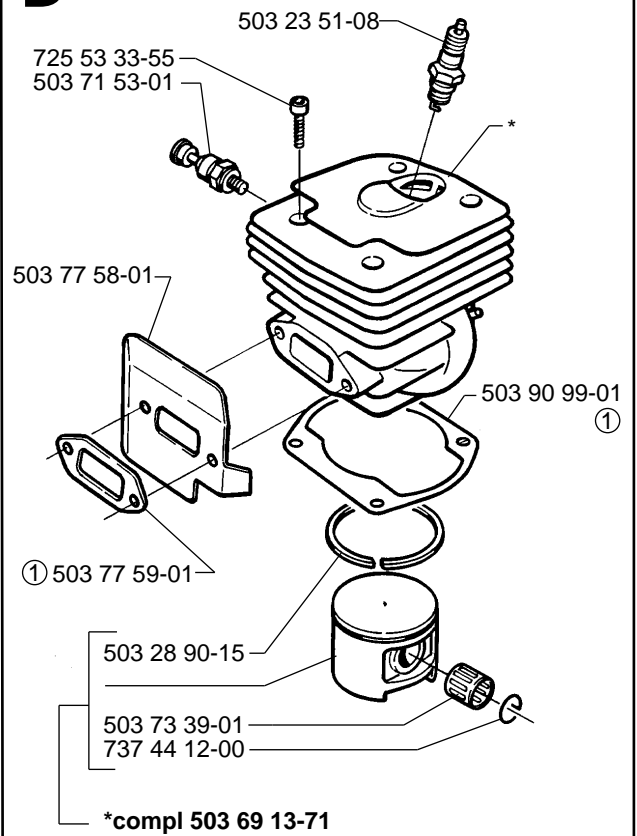
A**B**

C

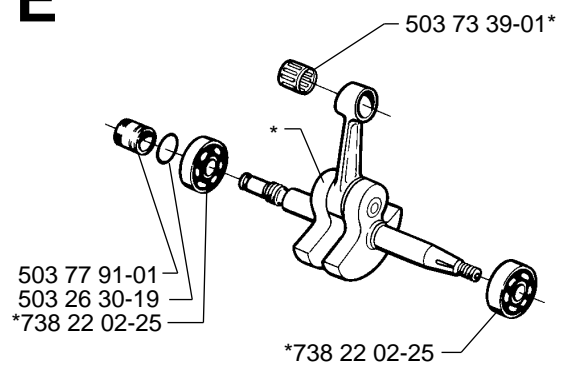
*compl 503 62 78-02 Std USA
 *compl 503 62 78-03 Std

**D**

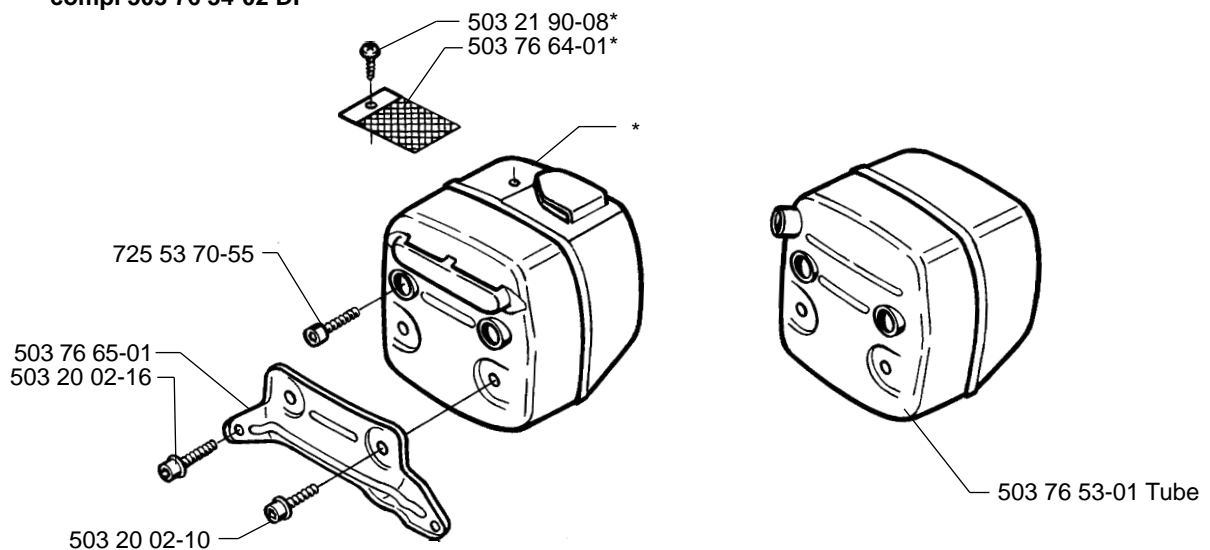
*compl 503 69 10-72

**E**

*compl 503 72 91-72

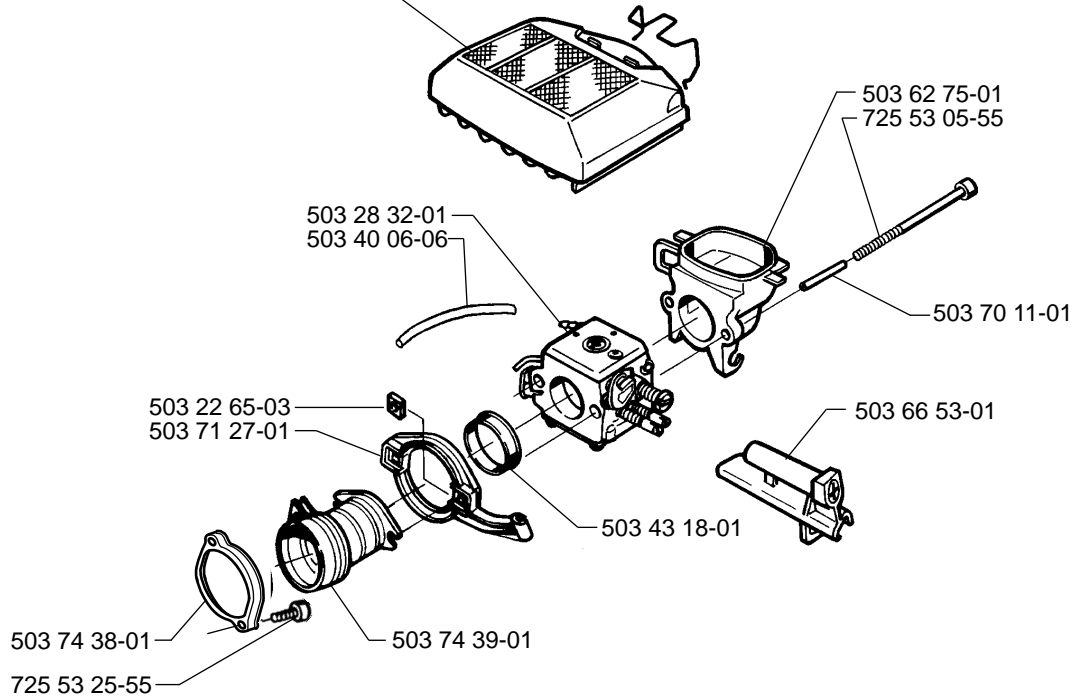
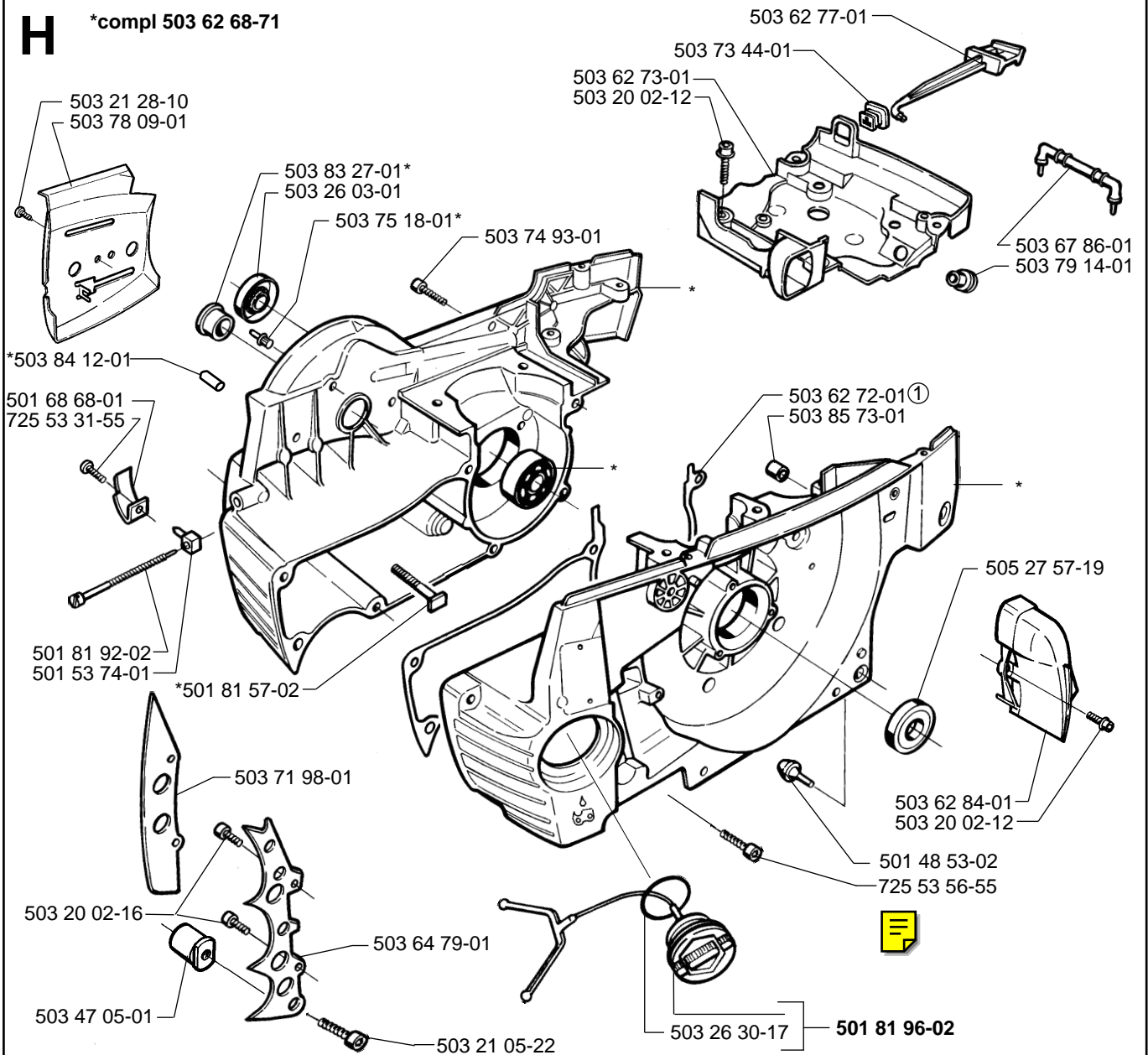
**F**

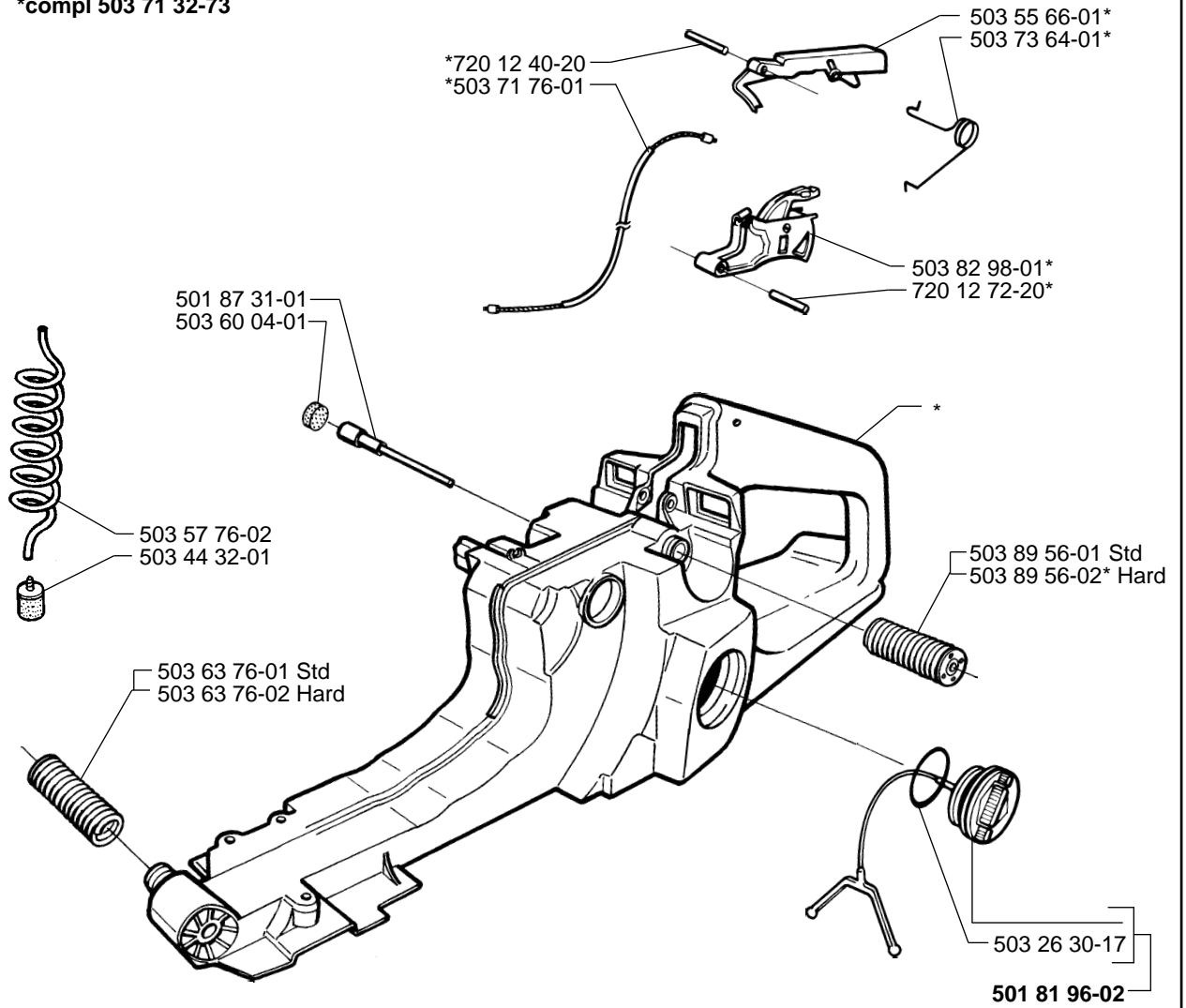
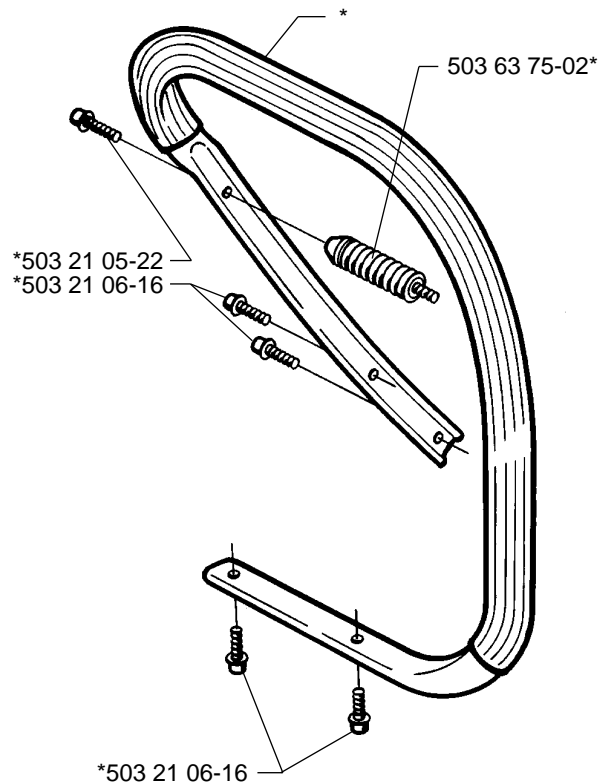
*compl 503 76 52-01 FG
 *compl 503 76 53-02 Jungle
 *compl 503 76 54-02 DF



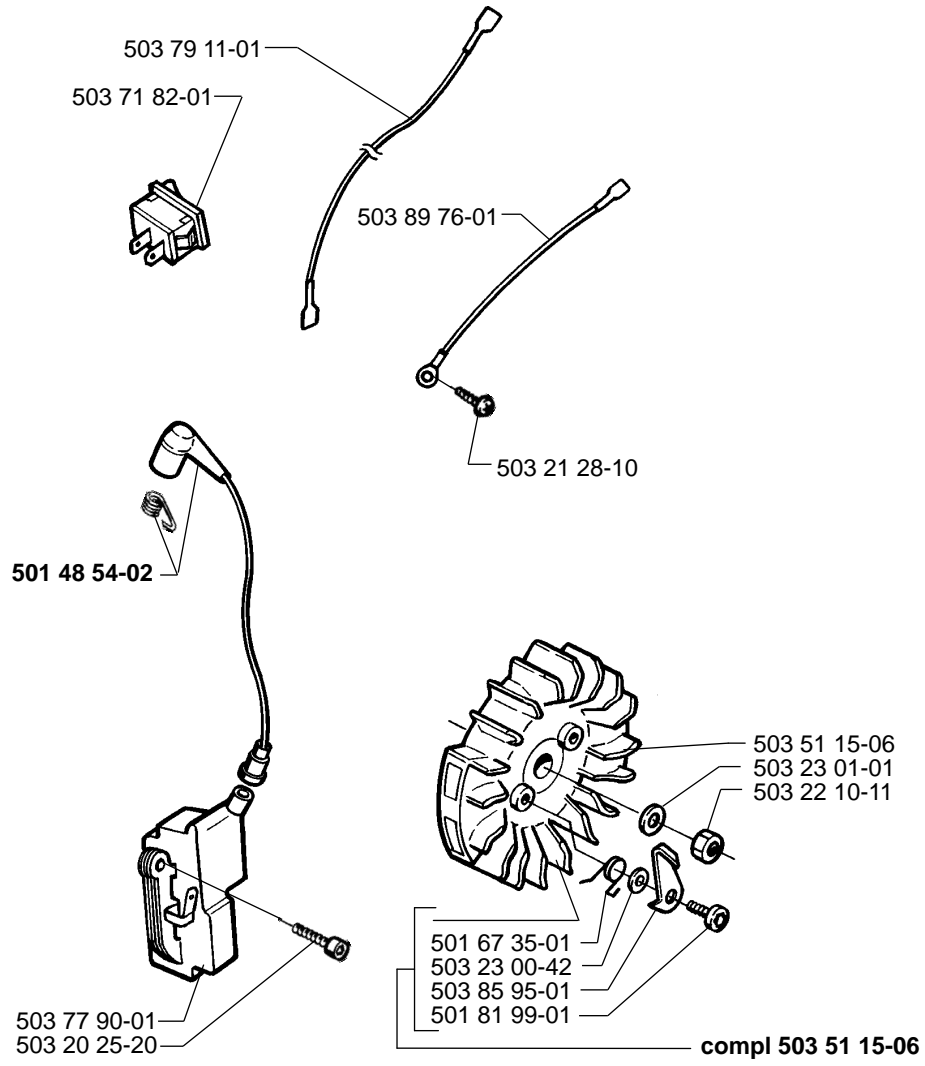
G

80µ 503 81 45-01
 44µ 503 81 45-02
 Felt 503 81 45-03

**H*****compl 503 62 68-71**

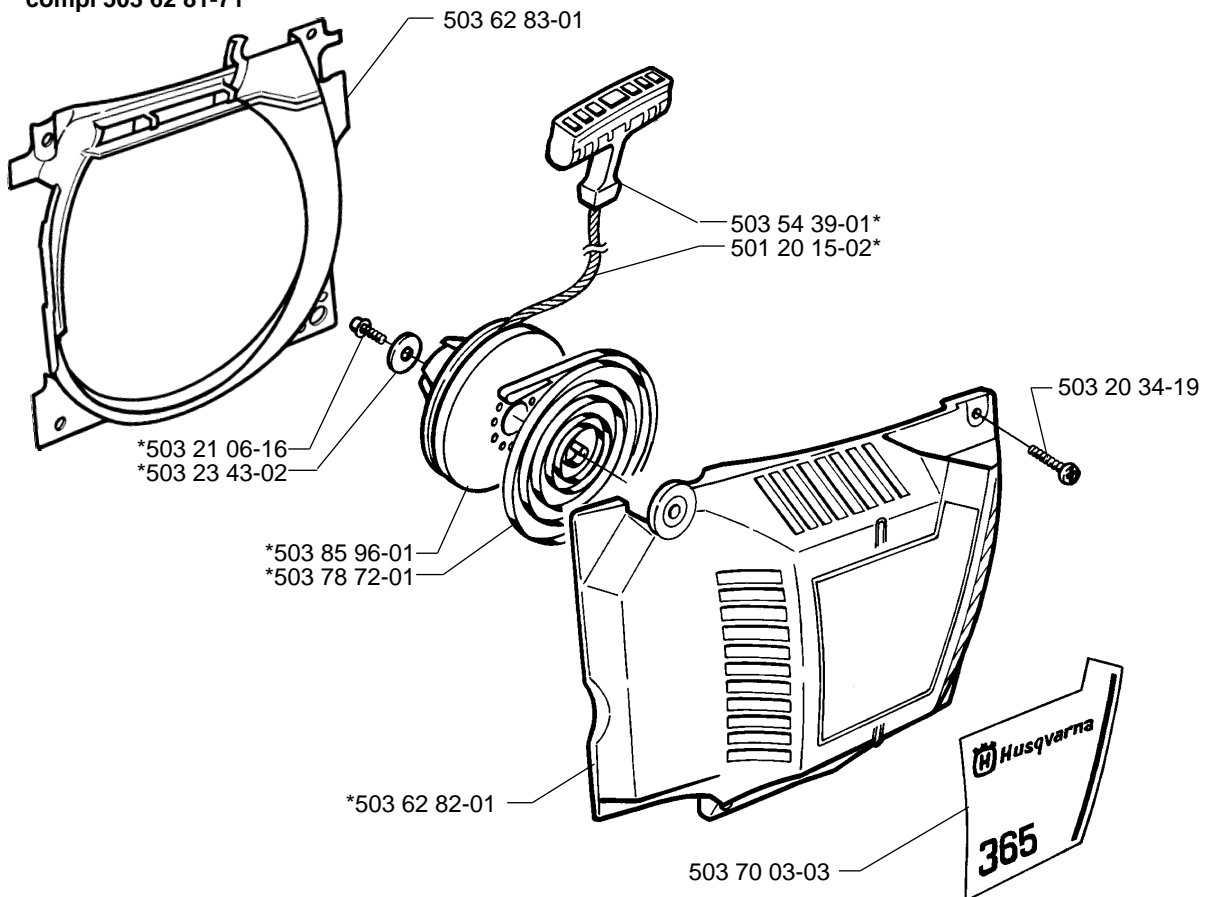
J***compl 503 71 32-73****K****compl 503 62 67-71**

M



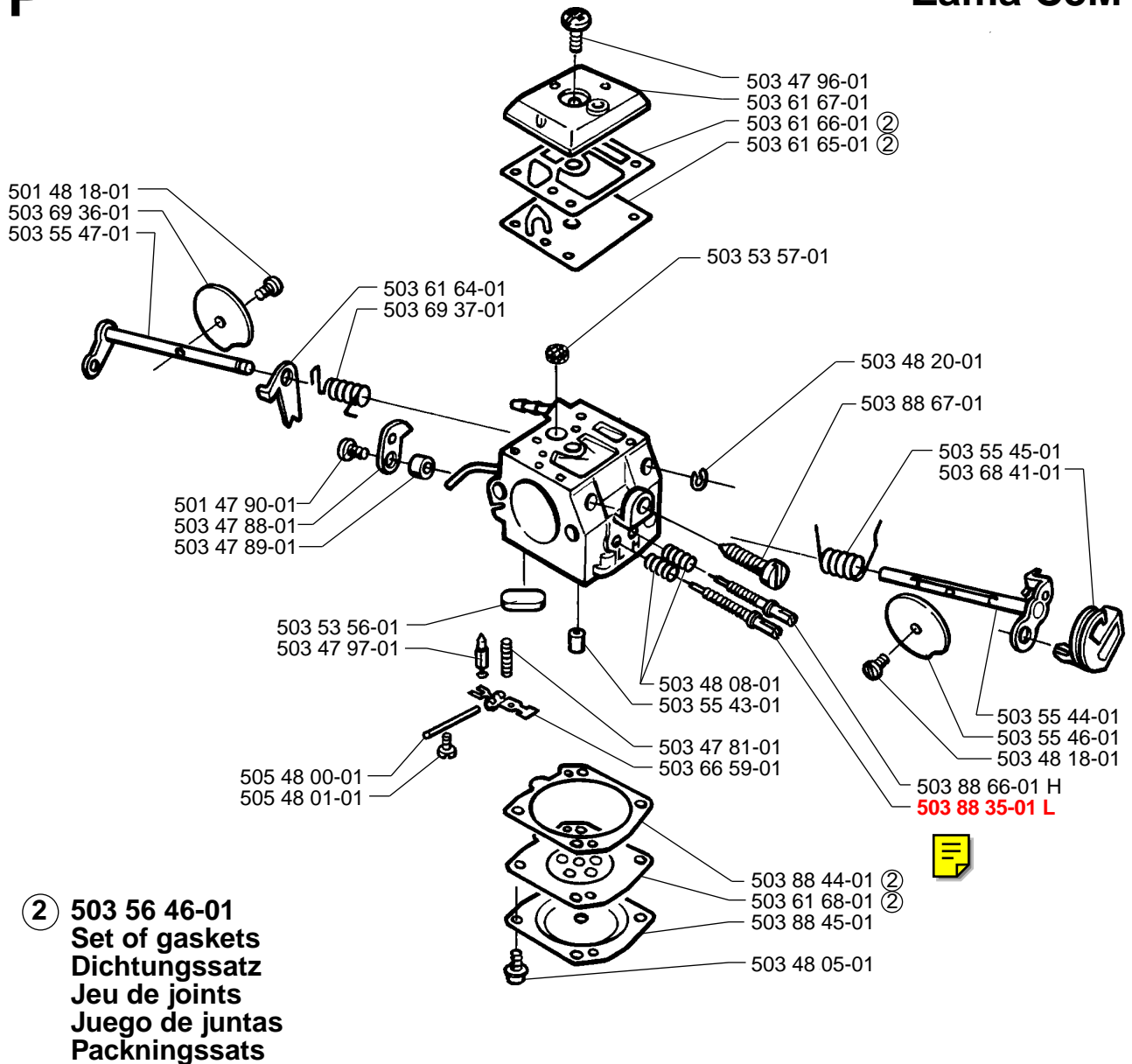
N

*compl 503 62 81-71

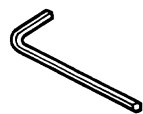
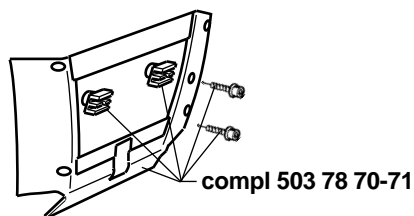


P

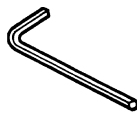
compl 503 28 32-01

Zama C3M**Q**

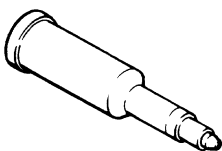
Accessories
Zubehöre
Accessories
Accesorios
Tillbehör



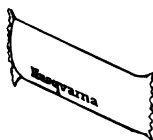
503 55 86-01 NV4



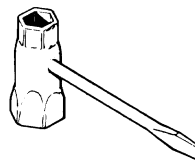
503 55 86-02 NV5



501 91 14-01



503 62 12-01



501 69 17-01